

INSTALLATION (cont'd)

Field Mount Version (8752C-DF and -SF)

There are four holes on the bottom of the 8752C-DF unit and three on the 8752C-SF. The two upper holes (one on the 8752C-SF) are for thermocouple wiring. The one on the lower left is for the cooling air fitting (provided with unit). The one on the lower right is for power wiring. See Figures 3 and 4 for locations.

The cooling air fitting is designed for connection to a 1/2" pipe and has a tap for monitoring line pressure. The air flow will be 140 scfh at 12 psi line pressure. Cooling air should be clean, dry air at less than 130 F.

Power connections are made to the terminal strip on the left side of the unit, as shown in Figures 5 and 6. L1 and L2 are connected to the corresponding terminals. Earth ground must be connected to the terminal labeled GND. Make thermocouple connections as shown in Figure 5 for the 8752C-DF and Figure 6 for the 8752C-SF.

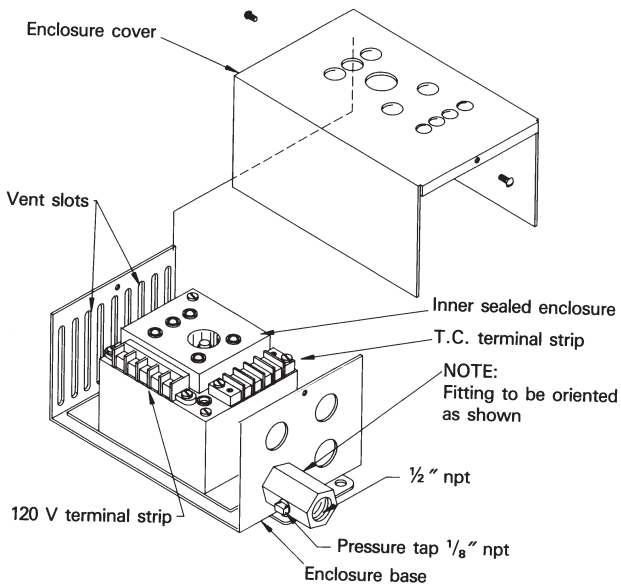


Figure 3. 8752C-DF Disassembly and Part Designations

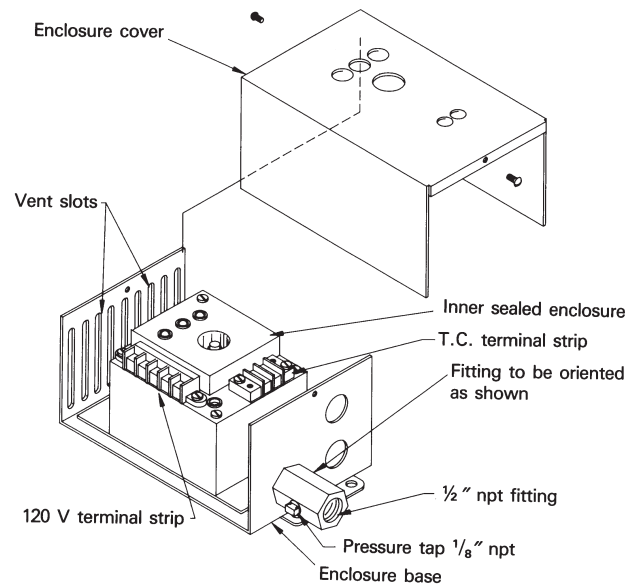


Figure 4. 8752C-SF Disassembly and Part Designations

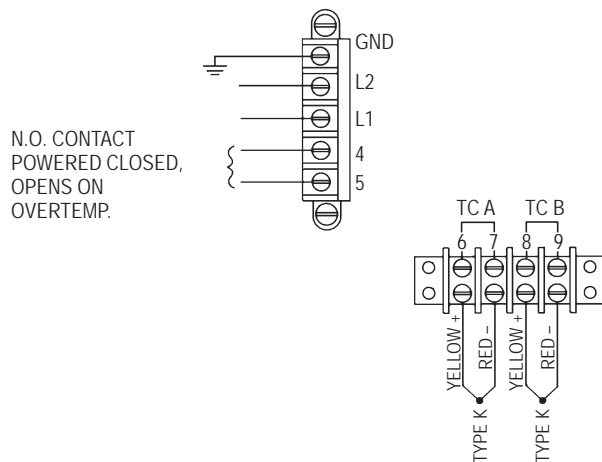


Figure 5. 8752C-DF Wiring

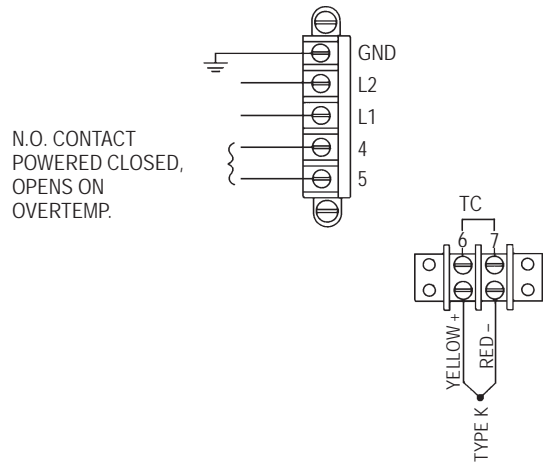


Figure 6. 8752C-SF Wiring