

Dimensions | Metering Orifice

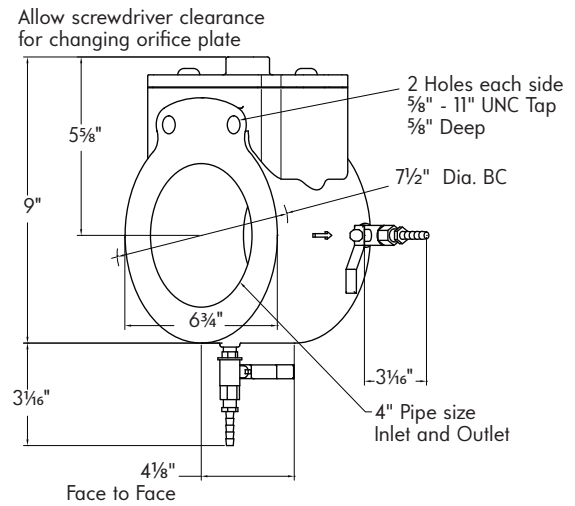
8697-7 Orifice Holder is identical in operation to smaller sizes, but it is mounted between flanges instead of being threaded onto pipe. Standard ANSI 125 psi flanges and full faced gaskets and hardware, part number 8767A-7-H, must be supplied separately.

Holder fits within bolt circle of flanges: Two top bolts on each side screw into the holder to assure correct alignment.

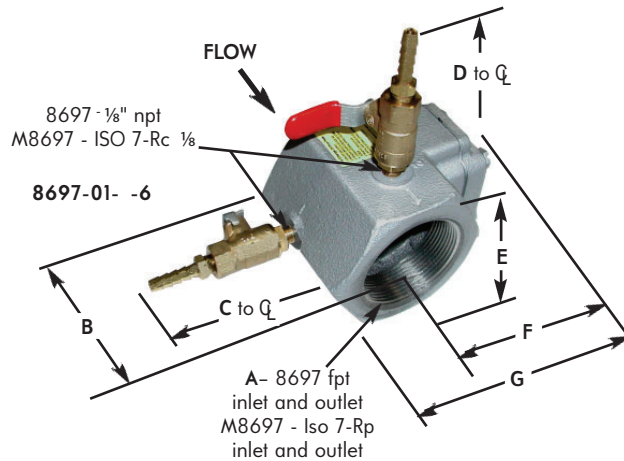
Weight: 25 pounds

CONSTRUCTION

Orifice plates: stainless steel. Accurately manufactured with a square edge orifice. Plate is stamped with its number, which is its capacity in cfh of 0.6 s.g. gas at 3.5"wc (8.72 mbar) pressure drop. Orifice holders: cast iron. Stainless steel springs, neoprene gaskets, brass hose cocks--alternate cocks available for gases corrosive to brass.



DIMENSIONS



Orifice Holder designation	dimensions in inches (mm)							wt in lb (kg)
	A	B	C	D	E	F	G	
8697-01/M8697-01	1/2	2 13/16 (71)	3 7/8 (98)	3 5/8 (92)	1 3/8 (35)	1 13/16 (46)	2 21/32 (67)	1 3/4 (0.8)
8697-0/M8697-0	3/4	2 7/8 (73)	3 7/8 (98)	3 3/4 (95)	1 5/8 (41)	1 13/16 (46)	2 3/4 (70)	1 3/4 (0.8)
8697-1/M8697-1	1	3 1/8 (79)	4 (102)	3 7/8 (98)	1 7/8 (48)	1 15/16 (49)	3 (76)	2 1/2 (1.1)
8697-2/M8697-2	1 1/4	3 1/8 (79)	4 5/16 (110)	4 1/8 (105)	2 3/8 (60)	2 3/16 (56)	3 1/2 (89)	2 3/4 (1.2)
8697-3/M8697-3	1 1/2	3 1/8 (79)	4 7/16 (113)	4 1/4 (108)	2 5/8 (67)	2 5/16 (59)	3 3/4 (95)	4 (1.8)
8697-4/M8697-4	2	3 1/4 (83)	4 3/4 (121)	4 1/2 (114)	3 1/8 (79)	2 1/2 (64)	4 1/4 (108)	5 1/2 (2.5)
8697-5	2 1/2	3 3/4 (95)	5 1/8 (130)	4 13/16 (122)	3 3/4 (95)	3 1/4 (83)	5 3/8 (137)	9 1/2 (4.3)
8697-6	3	3 7/8 (98)	5 9/16 (141)	4 7/8 (124)	4 1/2 (114)	3 3/4 (95)	6 5/16 (160)	12 1/4 (5.6)