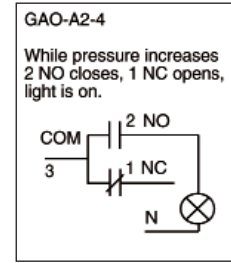


- Make sure the O-ring and the groove are clean and in good condition.
- Remove the G 1/8 plug from the port on the flange, the regulator, or the valve with a 3 mm hex key wrench.
- Clean the mounting surface around the port.
- Make sure that the surface is clean and in good condition.
- Mount the switch onto the port using the M4 x 20 mm socket head screws.
- Make sure that the O-ring is located in the groove.
- Tighten the screws snugly, not exceeding 22 lb-in.
- Perform a leak test to verify that no leakage occurs around the O-ring.
- No venting is required with the gas pressure switch. It has a built in restricting orifice.

Wiring

- Disconnect all power to the pressure switch before beginning the wiring to prevent electrical shock and equipment damage.
- All wiring must comply with local electrical codes, ordinances, and regulations.
- Do not exceed the switch ratings given in the specifications and on the switch.
- Remove the clear cover from the switch.
- Route the wires through the conduit connector.
- Connect the wiring to the appropriate screw terminals on the terminal strip.



Wiring Diagram

1597 Pressure Switch Part Numbers (Surface Mount)			
Part No.	Reset Conn.	Pressure Range	Switch Action
R830-5568	AUTO	.16 - 1.2"w.c.	Hi/Low Limit
R830-5570	AUTO	.4 - 4"w.c.	N/C Breaks
R830-5572	AUTO	2 - 20"w.c.	On
R830-5574	AUTO	12 - 60"w.c.	Rise
R830-5576	AUTO	40-200"w.c.	SPDT Switch

OPERATION

Setpoint Calibration

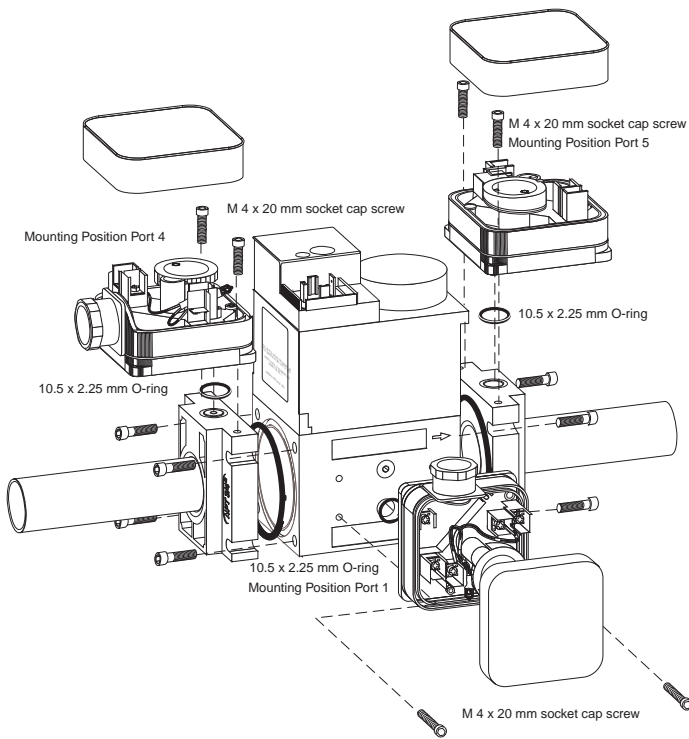
The setpoint dial of the gas pressure switch is factory calibrated with increasing pressure. Due to hysteresis the switch will actuate at a slightly lower point when the pressure decreases.

Adjusting the Setpoint

- Disconnect all power to the switch before beginning to prevent electrical shock and equipment damage.
- Remove the clear cover from the switch.
- Adjust the setpoint to the desired operating pressure by turning the dial clockwise to increase the setpoint or counterclockwise to decrease it.
- Turn dial until the white arrow on the yellow dial face is at the desired operating pressure.
- After adjusting the setpoint for normal operation, check to see that the gas pressure switch operates as intended.
- Use an accurate pressure gauge connected upstream from the switch to measure the actual pressure.
- Replace clear cover.

Automatic Reset

The NC contact of the gas pressure switch breaks when pressure rises to the setpoint. It makes automatically when pressure falls below setpoint.



Mounting the Pressure Switches

DIMENSIONS SHOWN ARE SUBJECT TO CHANGE. PLEASE OBTAIN CERTIFIED PRINTS FROM FIVES NORTH AMERICAN COMBUSTION, INC. IF SPACE LIMITATIONS OR OTHER CONSIDERATIONS MAKE EXACT DIMENSION(S) CRITICAL.

WARNING: Situations dangerous to personnel and property may exist with the operation and maintenance of any combustion equipment. The presence of fuels, oxidants, hot and cold combustion products, hot surfaces, electrical power in control and ignition circuits, etc., are inherent with any combustion application. Components in combustion systems may exceed 160°F (71°C) surface temperatures and present hot surface contact hazard. Fives North American Combustion, Inc. suggests the use of combustion systems that are in compliance with all Safety Codes, Standards, Regulations and Directives; and care in operation.

CONTACT

fna.sales@fivesgroup.com
T +1 800 626 3477 - F +1 216 373 4237

Fives North American Combustion, Inc.
4455 East 71st Street - Cleveland, OH 44105 - USA
www.fivesgroup.com



fives
Industry can do it