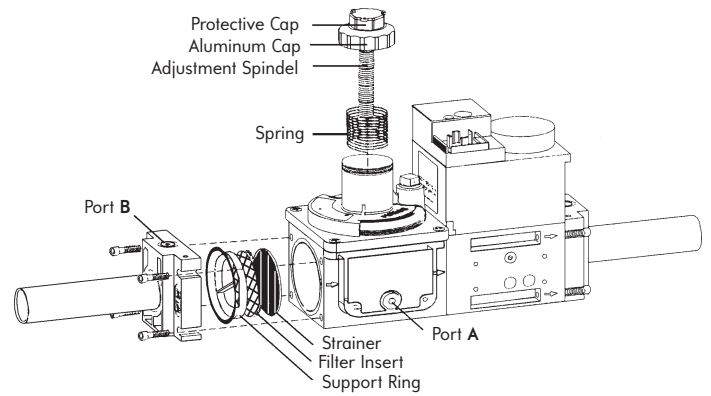


Filter

- Inspect the filter at least once a year.
- Replace the filter if the pressure between ports A and B is more than 4"wc.
- Replace the filter if the pressure between ports A and B is more than twice as high as the first installation inspection.

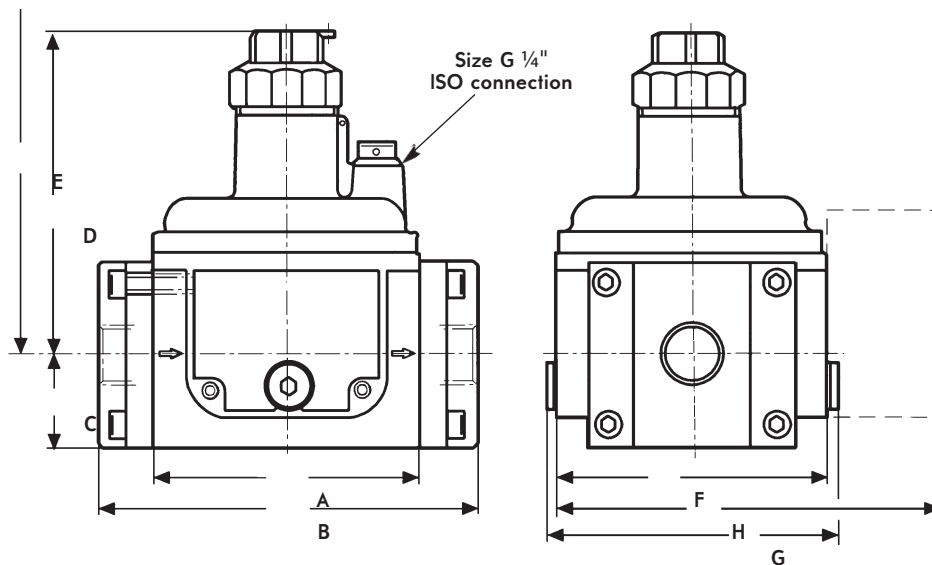
Filter Change

- Remove the regulator.
- Follow the mounting instructions in reverse order.
- Remove the support ring.
- Remove the filter insert.
- Insert a new filter insert.
- Press in the support ring.
- Install regulator in the gas line.
- Follow the mounting instructions.
- Perform a function and leak test.



Regulator designation	Filter Part Number
R690 - 2910	R690-2970
R690 - 2905	R690-2972

DIMENSIONS & FLANGES



	dimensions in inches									lb
	A	B	C	D	E	F	G	H		
R690-2910	3 ⁵ / ₈	5 ¹ / ₁₆	1 ¹ / ₁₆	6	7 ¹¹ / ₁₆	3 ¹¹ / ₁₆	4 ¹ / ₈	5 ¹ / ₂	2.0	
R690-2905	4 ⁷ / ₈	7	1 ³ / ₄	6 ⁷ / ₈	9 ¹ / ₄	4 ¹⁵ / ₁₆	5 ⁵ / ₁₆	6 ⁵ / ₈	3.5	

Flange part number	NPT pipe size
R947-3100	1/2"
R947-3102	3/4"
R947-3104	1"
R947-3106	1 1/4"
R947-3108	1 1/2"
R947-3110	2"

DIMENSIONS SHOWN ARE SUBJECT TO CHANGE. PLEASE OBTAIN CERTIFIED PRINTS FROM FIVES NORTH AMERICAN COMBUSTION, INC. IF SPACE LIMITATIONS OR OTHER CONSIDERATIONS MAKE EXACT DIMENSION(S) CRITICAL.

WARNING: Situations dangerous to personnel and property may exist with the operation and maintenance of any combustion equipment. The presence of fuels, oxidants, hot and cold combustion products, hot surfaces, electrical power in control and ignition circuits, etc., are inherent with any combustion application. Components in combustion systems may exceed 160°F (71°C) surface temperatures and present hot surface contact hazard. Fives North American Combustion, Inc. suggests the use of combustion systems that are in compliance with all Safety Codes, Standards, Regulations and Directives; and care in operation.

CONTACT

fna.sales@fivesgroup.com
T +1 800 626 3477 - F +1 216 373 4237

Fives North American Combustion, Inc.
4455 East 71st Street - Cleveland, OH 44105 - USA
www.fivesgroup.com



fives
Industry can do it