

Specifications/Dimensions | 1595A Shutoff Valve

SPECIFICATIONS

Gases: air, natural, gas propane, other non-corrosive gases

Maximum Operating Pressure: 7 psi

Electrical Ratings: 110 to 120 V ac, 50-60 Hz (+10%/-15%)

Power Consumption: 1595A-01, -0: 45 VA
1595A-1 thru -4: 90 VA

Ratings shown are total power consumption for both valves inclusive.
Inrush and full load current have the same VA rating.

Electrical Enclosure: NEMA 12

Electrical Connection: DIN-Connector with 18" lead wires and with 1/2" NPT conduit DIN-Connector

Duty Cycle: 100%

Ambient/Fluid Temperature: -40 F to +150°F

Classification Valve V1: Safety Shutoff Valve:
UL 429, FM 7411, CSA certified, ANSI Z21.21

Classification Valve V2: Safety Shutoff Valve:
UL 429, FM 7411, CSA certified, ANSI Z21.21

Closing Time: .1 second

Backpressure Rating: 2.1 psi (60"w.c) with a leakrate of 235 cc/hr

Opening: V1 .1 second, V2 1-20 seconds (adjustable) at 70°F

Initial Lift Adjustment: Adjustable on V2: 0 to 70% of total flow

Main Flow Adjustment: Adjustable on V2: 10 to 100% of total flow

Materials in Contact with Gas:

Housing: Aluminum, Steel

Seals on valve seats: NBR-based rubber

Mounting Position: Can be installed in vertical through horizontal position. Do not mount upside down (coil can not be below valve.)

Strainer: 23 mesh, installed on the housing upstream of V1

Test Port: G 1/8 ISO 228 taps available on both sides upstream of V1, between V1 and V2, downstream of V2, and on both flanges (G 1/8 test nipples supplied)

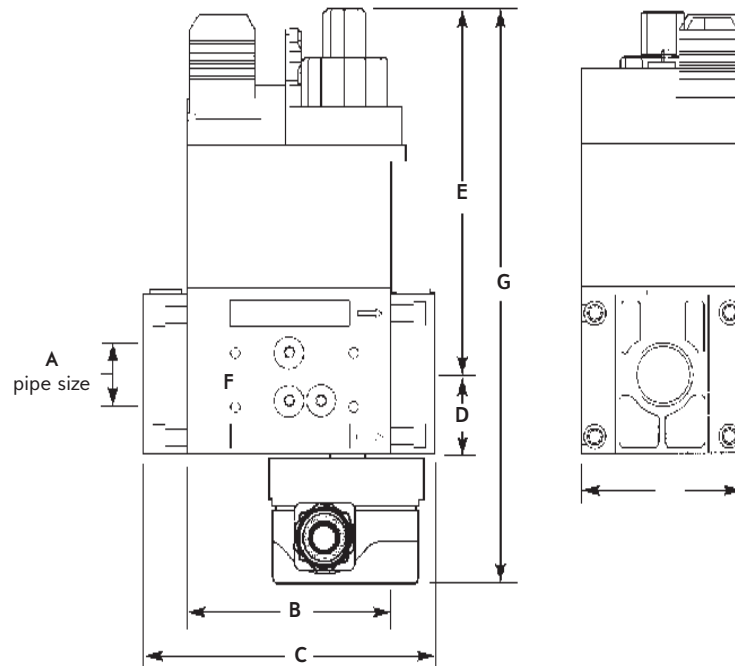
Position Indication: Visual indicator standard on V1

Proof-of-Closure- Switch: FM overtravel, SPDT switch with open and closed indication lamps standard on V2.

AC max. 10 A resistive at 120 V ac

AC max. 8 A inductive at 120 V ac

DIMENSIONS inches



Valve designation	dimensions in inches							Wt, lb
	A	B	C	D	E	F	G	
1595A-01	1/2	3 1/16	5 5/8	1 3/8	5 7/8	2 7/8	10 5/16	4.8
1595A-0	3/4	3 1/16	5 5/8	1 3/8	5 7/8	2 7/8	10 5/16	4.8
1595A-1	1	4 7/8	6 7/8	1 13/16	8 5/8	3 7/8	13 1/8	4.8
1595A-2	1 1/4	4 7/8	6 7/8	1 13/16	8 5/8	3 7/8	13 1/8	12.3
1595A-3	1 1/2	4 7/8	8 1/8	1 13/16	8 5/8	3 7/8	13 1/8	12.3
1595A-4	2	4 7/8	8 1/8	1 13/16	8 5/8	3 7/8	13 1/8	12.3