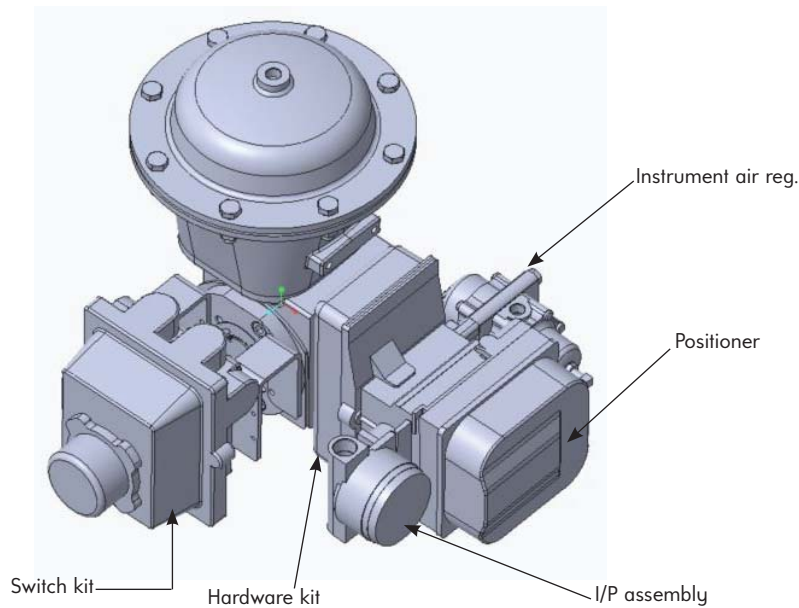


Replacement Parts | Air Control Valves

REPLACEMENT ACTUATOR PART NUMBERS

Actuator Part #	Bushing	Diaphragm	Pressure Gauge	Elastomer kit for DVC6000	Small HDWARE kit for DVC6000	Relay Assembly
R412-0406	R412-0450	R412-0451	R412-0452	R412-0453	R412-0454	R412-0456
R412-0408	R412-0450	R412-0451	R412-0452	R412-0453	R412-0454	R412-0456
R412-0409	R412-0450	R412-0451	R412-0452	R412-0453	R412-0454	R412-0456
R412-0410	R412-0450	R412-0451	R412-0452	R412-0453	R412-0454	R412-0456
R412-0404	R412-0459	R412-0458	R412-0452	R412-0453	R412-0454	R412-0456
R412-0405	R412-0459	R412-0458	R412-0452	R412-0453	R412-0454	R412-0456

Actuator Part #	I/P Assembly	Cover Assembly	Positioner	Topwork Switch Kit	Instrument air reg.
R412-0406	R412-0456	R412-0457	R620-2059	R948-1374	R412-0209
R412-0408	R412-0456	R412-0457	R620-2056	R948-1374	R412-0209
R412-0409	R412-0456	R412-0457	R620-2056	R948-1374	R412-0209
R412-0410	R412-0456	R412-0457	R620-2057	R948-1690	R412-0209
R412-0404	R412-0456	R412-0457	R620-2013-2052	R948-1374	R412-0209
R412-0405	R412-0456	R412-0457	R620-2013-2052	R948-1374	R412-0209



WARNING: Situations dangerous to personnel and property may exist with the operation and maintenance of any combustion equipment. The presence of fuels, oxidants, hot and cold combustion products, hot surfaces, electrical power in control and ignition circuits, etc., are inherent with any combustion application. Components in combustion systems may exceed 160°F (71°C) surface temperatures and present hot surface contact hazard. Fives North American Combustion, Inc. suggests the use of combustion systems that are in compliance with all Safety Codes, Standards, Regulations and Directives; and care in operation.

CONTACT

fna.sales@fivesgroup.com
T +1 800 626 3477 - F +1 216 373 4237

Fives North American Combustion, Inc.
4455 East 71st Street - Cleveland, OH 44105 - USA
www.fivesgroup.com



fives
Industry can do it