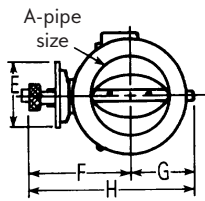
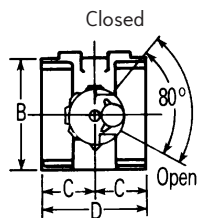
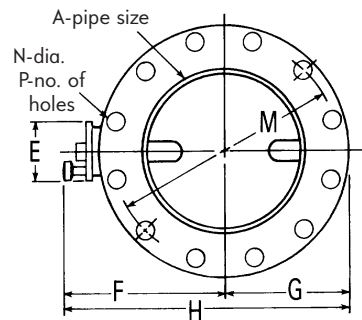
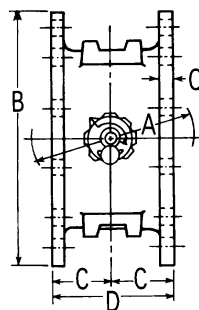


Dimensions | Butterfly Valves



**1122
(M1122)**



**1122- -F
(M1122- -F)**

Imperial (Metric) Valve designation	dimensions in inches (mm)								
	A	B	C	D	E	F	G	H	M
1122-0 (M1122-0)	ISO7-Rp ¾	2¼ (52)	1¾ (30)	2¾ (60)	3 (76)	2¾ (70)	1¾ (30)	3¼ (86)	—
1122-1 (M1122-1)	ISO7-Rp 1	2¼ (52)	1¾ (30)	2¾ (60)	3 (76)	2¾ (70)	1¾ (30)	3¼ (86)	—
1122-2 (M1122-2)	ISO7-Rp 1¼	2½ (64)	1¾ (32)	2½ (64)	3 (76)	2¾ (71)	1¾ (33)	4 (102)	—
1122-3 (M1122-3)	ISO7-Rp 1½	2½ (65)	1¾ (33)	2½ (67)	3 (76)	2¾ (75)	1¾ (37)	4 (105)	—
1122-4 (M1122-4)	ISO7-Rp 2	3 (76)	1½ (38)	3 (76)	3 (76)	3 (83)	1¾ (44)	5 (127)	—
1122-5	2½	3 (97)	1¾ (44)	3½ (89)	3 (76)	3 (87)	2 (54)	5 (144)	—
1122-6	3	4 (114)	1¾ (49)	3 (98)	3 (76)	4 (105)	2 (62)	6 (164)	—
1122-7	4	5 (143)	2 (57)	4 (114)	3 (76)	4 (121)	3 (76)	7 (195)	—
1122-8	6	7 (200)	2 (65)	5 (130)	3 (76)	5 (148)	4 (105)	9 (252)	—
1122-6-F	3	7 (191)	2 (51)	4 (102)	3 (76)	5 (138)	3 (95)	9 (233)	6 (152)
1122-7-F	4	9 (229)	2 (57)	4 (114)	3 (76)	6 (157)	4 (114)	10 (271)	7 (191)
1122-8-F	6	11 (279)	2 (64)	5 (127)	3 (76)	7 (183)	5 (140)	12 (322)	9 (241)
M1122-6-F	(DN 80)	7 (191)	2 (51)	4 (102)	3 (76)	5 (138)	3 (95)	9 (233)	5 (150)
M1122-7-F	(DN 100)	8 (220)	2 (57)	4 (114)	3 (76)	6 (157)	4 (114)	10 (272)	7 (180)
M122-8-F	(DN 150)	10 (265)	2 (64)	5 (127)	3 (76)	7 (183)	5 (140)	12 (322)	8 (225)

Imperial (Metric) Valve designation	dimensions in inches (mm)			End Connections	wt. lb(kg)
	N	P	Q		
1122-0 (M1122-0)	—	—	—	¾" NPT (ISO 7Rp ¾)	2 (0.9)
1122-1 (M1122-1)	—	—	—	1" NPT (ISO 7Rp 1)	2 (0.9)
1122-2 (M1122-2)	—	—	—	1¼" NPT (ISO 7Rp 1¼)	2¼ (1.0)
1122-3 (M1122-3)	—	—	—	1½" NPT (ISO 7Rp 1½)	2½ (1.1)
1122-4 (M1122-4)	—	—	—	2" NPT (ISO 7Rp 2)	3½ (1.6)
1122-5	—	—	—	2½" NPT	5½ (2.5)
1122-6	—	—	—	3" NPT	8 (3.6)
1122-7	—	—	—	4" NPT	12½ (5.7)
1122-8	—	—	—	6" NPT	24 (11)
1122-6-F	¾ (19)	4	½ (13)	3" ANSI Class 125 FF	17 (7.7)
1122-7-F	¾ (19)	8	¾ (14)	4" ANSI Class 125 FF	21 (9.5)
1122-8-F	¾ (22)	8	¾ (14)	6" ANSI Class 125 FF	31 (14)
M1122-6-F	¾ (14)	4	½ (13)*	DN 80 PN6 FF*	17 (7.7)
M1122-7-F	¾ (18)	8	¾ (14)*	DN 100 PN10/16 FF*	21 (9.5)
M122-8-F	¾ (18)	8	¾ (14)*	DN 150 PN6 FF*	31 (14)

* Flanges have DN drilling but thickness does not meet BS4504-PN6/10