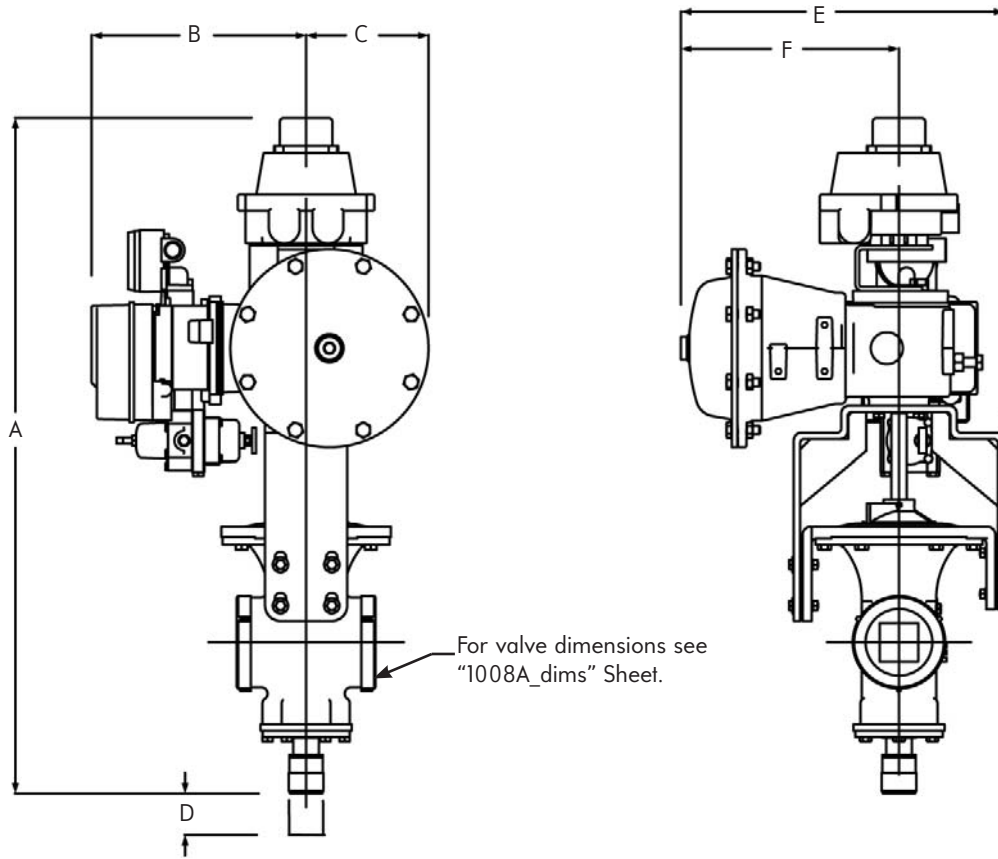


# Dimensions | 1008A-2052



DIMENSIONS SHOWN ARE SUBJECT TO CHANGE. PLEASE OBTAIN CERTIFIED PRINTS FROM FIVES NORTH AMERICAN COMBUSTION, INC. IF SPACE LIMITATIONS OR OTHER CONSIDERATIONS MAKE EXACT DIMENSION(S) CRITICAL.

Valve Size	Dimensions inches					
	A	B	C	D	E	F
1008A-3	29.29	10.44	5.95	1.25	14.80	10.61
1008A-4	29.80	10.44	5.95	1.25	14.80	10.61
1008A-5	31.50	10.44	5.95	1.25	15.73	10.61
1008A-6	32.62	10.44	5.95	1.32	15.73	10.61
1008A-7	33.62	10.44	5.95	1.32	15.73	10.61
1008A-8	36.82	10.44	5.95	1.63	15.73	10.61

Valve Size	Dimensions millimeters					
	A	B	C	D	E	F
1008A-3	744	265	151	32	376	269
1008A-4	757	265	151	32	376	269
1008A-5	800	265	151	32	400	269
1008A-6	829	265	151	31	400	269
1008A-7	854	265	151	31	400	269
1008A-8	935	265	151	41	400	269