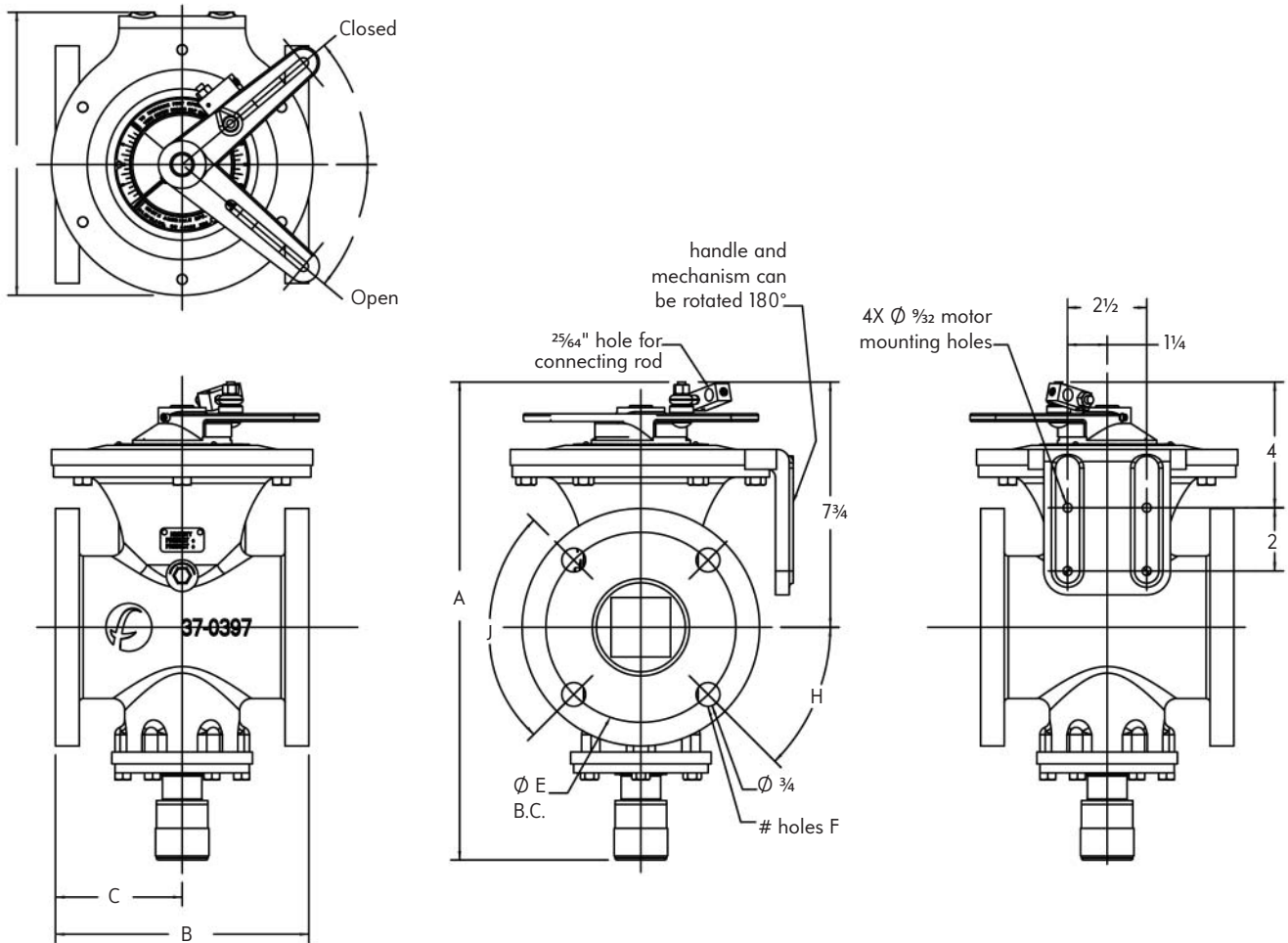


Dimensions inches | 1008A- -F-C Valve



Part Number	Pipe Size	dimensions in inches								Approx. Weight
		A	B	C	D	E	F	H	J	
1008A-5F	2½"	14	7½	3¾	8 ¹⁵ / ₁₆	5½	4	45°	90°	54 lbs
1008A-6F	3"	15 ³ / ₃₂	8	4	8 ¹⁵ / ₁₆	6	4	45°	90°	63½ lbs
1008A-7F	4"	16 ¹ / ₈	9	4½	9 ⁵ / ₁₆	7½	8	22.5°	45°	83 lbs.

DIMENSIONS SHOWN ARE SUBJECT TO CHANGE. PLEASE OBTAIN CERTIFIED PRINTS FROM FIVES NORTH AMERICAN COMBUSTION, INC.
IF SPACE LIMITATIONS OR OTHER CONSIDERATIONS MAKE EXACT DIMENSION(S) CRITICAL.