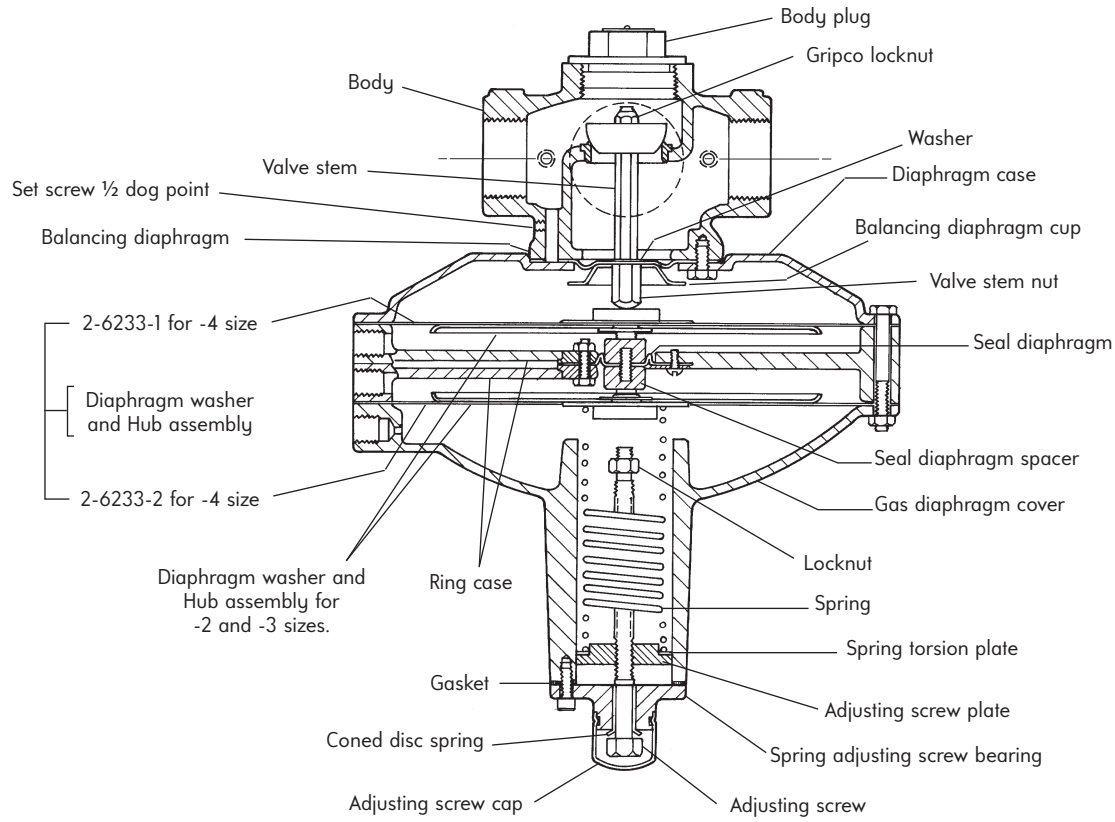


7288-2, -3, -4



Part Name	7288-2	7288-3	7288-4
Body	2-6518-5	2-6518-7	2-6518-9
Dia. Washer and Hub Assembly†	2-6233-4	2-6233-4	2-6233-1
Dia. Washer and Hub Assembly†	—	—	2-6233-2
Body Plug	2-9289-3	2-9889-4	2-2043-1
Balancing Diaphragm Cup	2-6415-1	2-6415-1	2-6334-1
Balancing Diaphragm	2-6247-1	2-6247-1	2-6248-1
Seal Diaphragm	2-6208-1	2-6208-1	2-6208-1
Spring	2-6436-1	2-6436-1	2-6437-1
Adjusting Screw	2-3923-1	2-3923-1	2-3905-1
Seal Diaphragm Spacer (2 req'd)	2-6240-1	2-6240-1	2-6240-1
Valve Stem	2-6398-1	2-6398-2	2-6396-1
Gripco Locknut	R510-5092-JC	R510-5092-JC	R510-5092-JC
Washer	2-0541-1	2-0541-1	2-0541-1
Gas Diaphragm Cover	2-3906-1	2-3906-1	2-3907-1
Diaphragm Case	2-5748-5	2-5748-5	2-6053-1
Ring Case (2 req'd)	2-5776-2	2-5776-2	2-6205-1
Valve Stem Nut	2-6416-1	2-6416-1	2-6397-1
Set Screw 1/2 Dog Point	R776-1620-D1	R776-1620-D1	R776-1620-D1
Adjusting Screw Cap	2-3904-1	2-3904-1	2-3904-1
Adjusting Screw Plate	2-3929-3	2-3929-3	2-3929-3
Spring Torsion Plate	2-3928-2	2-3928-2	2-3928-2
Gasket	2-3930-1	2-3930-1	2-3930-1
Coned Disc Spring	2-4359-2	2-4359-2	2-4359-2
Locknut	R510-5098	R510-5098	R510-5098
Spring Adjusting Screw Bearing	2-3925-1	2-3925-1	2-3925-1

†Includes Gas Diaphragm and Gasket

‡two required