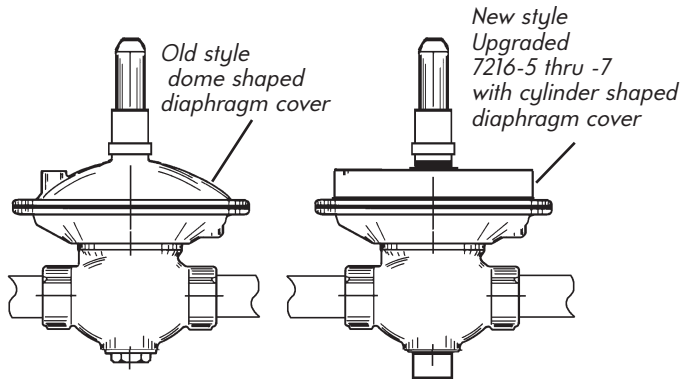
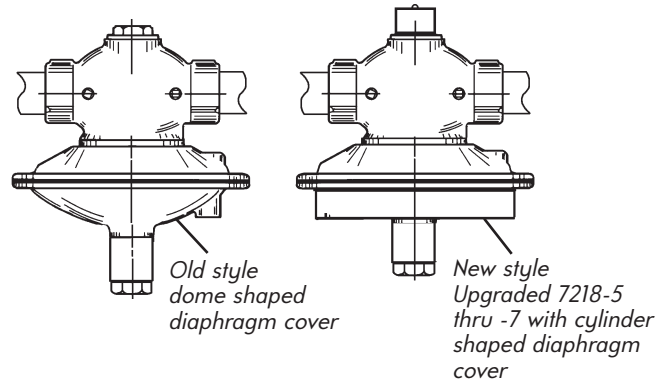


7216-5 through -7 Regulators



7218-5 through -7 Regulators



For sizes -5, -6, -7, old style regulators require an upgrade kit (-UK) which includes the cylinder shaped diaphragm cover.

TYPICAL REPAIR AND UPGRADE KIT PART NUMBER EXAMPLES

7216	-	0	-	RK	
Model		Pipe Size Code		Repair / Upgrade Kits	
7216		-01 (1/2")		-RK	repair kit (for all models and sizes except old style -5, -6, -7)
7218		-0 (3/4")		-VRK	viton repair (for all models and sizes except old style -5, -6, -7)
7219A*		-1 (1")		-UK	upgrade kit (for old style -5, -6, -7 models only)
7349A*		-2 (1 1/4")		-VUK	viton upgrade kit (for old style -5, -6, -7 models only)
		-3 (1 1/2")			
		-4 (2")			
		-5 (2 1/2")			
		-6 (3")			
		-7 (4")			

* These kits are also used to repair/upgrade 7349-_-S and 7219-_-SS models.

WARNING: Situations dangerous to personnel and property may exist with the operation and maintenance of any combustion equipment. The presence of fuels, oxidants, hot and cold combustion products, hot surfaces, electrical power in control and ignition circuits, etc., are inherent with any combustion application. Components in combustion systems may exceed 160°F (71°C) surface temperatures and present hot surface contact hazard. Fives North American Combustion, Inc. suggests the use of combustion systems that are in compliance with all Safety Codes, Standards, Regulations and Directives; and care in operation.

CONTACT

fna.sales@fivesgroup.com
T +1 800 626 3477 - F +1 216 373 4237

Fives North American Combustion, Inc.
4455 East 71st Street - Cleveland, OH 44105 - USA
www.fivesgroup.com



fives
Industry can do it