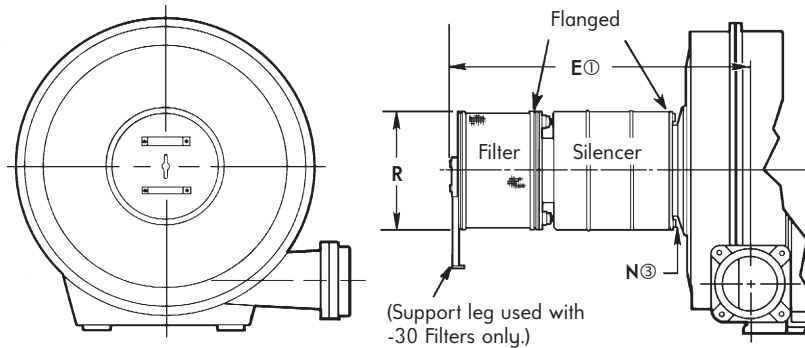


North American Filter-Silencers for Series 2300 Direct Drive 50 hertz Turbo Blowers

Sheet 2942-1

Ref: Bulletins 2923, 2942



Representative of all units except: the threaded connections. (See Back)

For dimensions and data on filter elements refer to Bulletin 2923, page 4.

Blower Designation	Filter-Silencer Designation ^④	Dimensions in inches			Approximate weight in lb ^②
		E ^①	N ^③	R	
23055-11/3---3D	2942-8-11A	22½	3	8%	30
23055-14/1---5D	2942-8-14A	22¾	3	8%	30
23055-17/1---75D	2942-8-17B	25¾	4	8%	35
23055-17/1---1D	2942-8-17B	25¾	4	8%	35
23055-24/1---1.5D	2942-10-24A	34¾	6	10%	45
23055-24/1---2D	2942-12-24A	36¾	6	12%	80
23055-31/1---3D	2942-14-31A	38¼	8	14%	90
23055-21/1---5D	2942-18-21A	47	10	18%	135
23055-44/1---7.5D	2942-30-44A	76	16	30%	360
23055-44/1---10D	2942-30-44A	76	16	30%	360
23055-44/1---15D	2942-30-44A	76	16	30%	360
2307-11/4---3D	2942-8-11A	23¾	3	8%	30
2307-19/1---.75D	2942-8-19A	22	3	8%	30
2307-19/1---1D	2942-8-19A	22	3	8%	30
2307-26/1---1.5D	2942-8-26A	31½	6	8%	35
2307-26/1---2D	2942-10-26A	34¾	6	10%	45
2307-26/1---3D	2942-12-26A	36¾	6	12%	80
23085-11/4---3D	2942-8-11A	23¾	3	8%	30
23085-19/1---.75D	2942-8-19A	22	3	8%	30
23085-19/1---1D	2942-8-19A	22	3	8%	30
23085-26/1---1.5D	2942-8-26A	31½	6	8%	35
23085-26/1---2D	2942-10-26A	34¾	6	10%	45
23085-26/1---3D	2942-12-26A	36¾	6	12%	80
23085-35/1---5D	2942-18-35A	41¾	8	18%	130
23085-21/1---7.5D	2942-22-21B	56¾	14	22%	220
23085-21/1---10D	2942-22-21B	56¾	14	22%	220
23085-41/1---15D	2942-30-41A	76¾	16	30%	360
23085-41/1---20D	2942-30-41A	76¾	16	30%	360
2311-14/2---5D	2942-8-14A	24¾	3	8%	30
2311-14/2---.75D	2942-8-14A	24¾	3	8%	30
2311-17/2---1D	2942-8-17B	25	4	8%	35
2311-17/2---1.5D	2942-8-17B	25	4	8%	35
2311-26/1---2D	2942-8-26A	31½	6	8%	35
2311-26/1---3D	2942-10-26A	34¾	6	10%	45
2311-26/1---5D	2942-12-26A	36¾	6	12%	80
2311-35/1---7.5D	2942-18-35B	43¾	8	18%	130
2311-35/1---10D	2942-18-35B	43¾	8	18%	130
2311-33/1---15D	2942-22-33A	54¼	12	22%	195
2311-33/1---20D	2942-22.5-33A	60¼	12	22%	235
2311-41/1---25D	2942-30-41A	76¾	16	30%	360