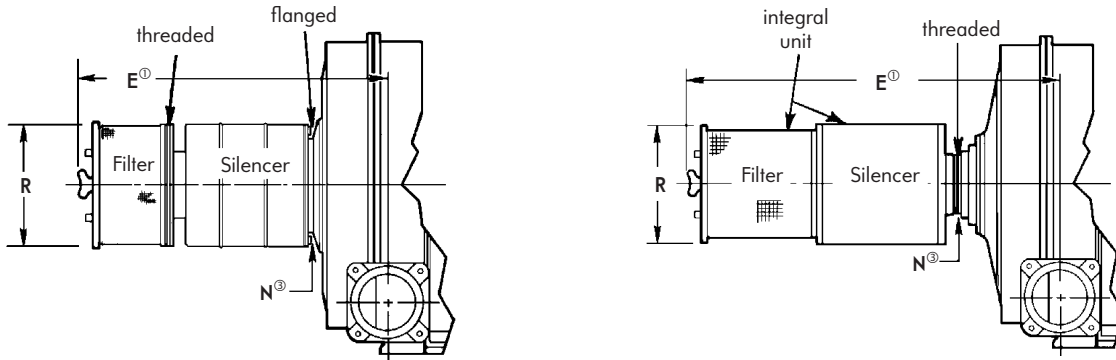


Representative of all units except threaded connections

Support leg used with -30 filters and 2400F Blowers with -22 and -22.5 filters.



screen element



base with stem



assembled filter

Filter size	Element designation for/W	Wt, lb	Element designation for/T	Wt, lb	Capacity cfm	element dimensions (inches)		
						OD	ID	height
8	R260-2160	4½	R260-2900	2¾	400	8½	4½ <sup>1</sup> / <sub>16</sub>	8½
10	R260-2240	7¾	R260-2910	4½	700	10½	6½ <sup>1</sup> / <sub>16</sub>	10½
12	R260-2300	10	R260-2920	6	1000	12½	8³ <sup>1</sup> / <sub>16</sub>	12½
14	R260-2360	17½	R260-2930	9¾	1350	14½	8³ <sup>1</sup> / <sub>16</sub>	14½
18	R260-2420	28	R260-2940	14½	2250	18½	12¹ <sup>1</sup> / <sub>16</sub>	18½
22	R260-2500	39½	R260-2950	23	3250	22½	16¹ <sup>1</sup> / <sub>16</sub>	22½
22.5	R260-2580	48½	R260-2960	28	4000	22½	16¹ <sup>1</sup> / <sub>16</sub>	28½
30	R260-2640	62	R260-2970	47	6000	30½	25¾	30½

① When installing blower, allow sufficient space beyond filter for removal for cleaning.

③ N dimension on 3" and 4" adapters indicates nominal threaded pipe size. 6" and larger adapters have a flanged connection.

DIMENSIONS SHOWN ARE SUBJECT TO CHANGE. PLEASE OBTAIN CERTIFIED PRINTS FROM FIVES NORTH AMERICAN COMBUSTION, INC. IF SPACE LIMITATIONS OR OTHER CONSIDERATIONS MAKE EXACT DIMENSION(S) CRITICAL.

**WARNING:** Situations dangerous to personnel and property may exist with the operation and maintenance of any combustion equipment. The presence of fuels, oxidants, hot and cold combustion products, hot surfaces, electrical power in control and ignition circuits, etc., are inherent with any combustion application. Components in combustion systems may exceed 160°F (71°C) surface temperatures and present hot surface contact hazard. Fives North American Combustion, Inc. suggests the use of combustion systems that are in compliance with all Safety Codes, Standards, Regulations and Directives; and care in operation.

### CONTACT

fna.sales@fivesgroup.com

T +1 800 626 3477 - F +1 216 373 4237

**Fives North American Combustion, Inc.**  
4455 East 71st Street - Cleveland, OH 44105 - USA  
www.fivesgroup.com



**fives**  
Industry can do it