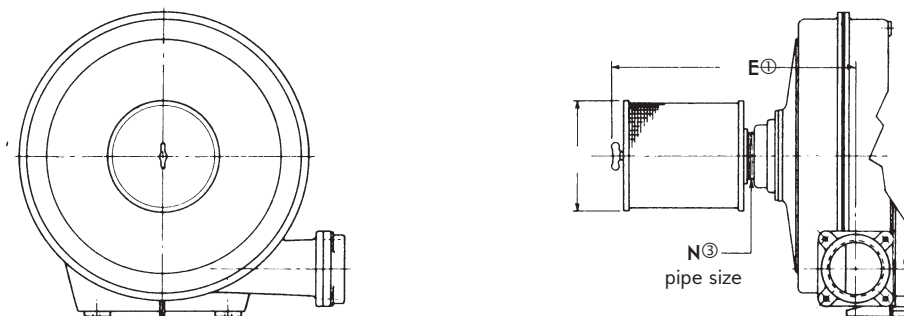


Blower designation	Filter designation ^④	dimensions in inches			approximate weight in lb ^②
		E ^①	N ^③	R	
2311-26/1-__2D	2923-8-26A	16 ¹ / ₈	6	8 ⁵ / ₈	19
2311-26/1-__3D	2923-10-26A	18 ³ / ₄	6	10 ⁵ / ₈	24
2311-26/1-__5D	2923-12-26A	20 ³ / ₄	6	12 ⁵ / ₈	32
2311-28/1-__5D	2923-14-28A	24 ⁵ / ₈	8	14 ⁵ / ₈	57
2311-35/1-__7.5D	2923-18-35B	28 ⁷ / ₈	8	18 ⁵ / ₈	73
2311-35/1-__10D	2923-18-35B	28 ⁷ / ₈	8	18 ⁵ / ₈	73
2311-33/1-__15D	2923-22-33A	34 ¹ / ₂	12	22 ⁵ / ₈	147
2311-33/1-__20D	2923-22.5-33A	40 ¹ / ₂	12	22 ⁵ / ₈	205
2311-41/1-__25D	2923-30-41A	49 ³ / ₈	16	30 ⁵ / ₈	284
2314-19/2-__1.5D	2923-8-19A	18 ³ / ₈	3	8 ⁵ / ₈	16
2314-26/2-__2D	2923-8-26A	18 ³ / ₄	6	8 ⁵ / ₈	19
2314-26/2-__3D	2923-10-26A	21 ³ / ₈	6	10 ⁵ / ₈	24
2314-26/2-__5D	2923-10-26A	21 ³ / ₈	6	10 ⁵ / ₈	24
2314-35/1-__7.5D	2923-14-35B	24 ⁵ / ₈	8	14 ⁵ / ₈	57
2314-35/1-__10D	2923-18-35B	28 ³ / ₄	8	18 ⁵ / ₈	73
2314-21/1-__15D	2923-18-21A	28 ⁵ / ₈	10	18 ⁵ / ₈	94
2314-33/1-__20D	2923-22-5-33A	40 ¹ / ₂	12	22 ⁵ / ₈	205
2314-33/1-__25D	2923-30-33A	42 ¹ / ₂	12	30 ⁵ / ₈	260
2314-33/1-__30D	2923-30-33A	42 ¹ / ₂	12	30 ⁵ / ₈	260
23165-14/3-__1.5D	2923-8-14A	20	3	8 ⁵ / ₈	16
23165-19/2-__2D	2923-8-19B	19 ¹ / ₈	4	8 ⁵ / ₈	16
23165-26/2-__3D	2923-8-26A	19 ¹ / ₄	6	8 ⁵ / ₈	19
23165-26/2-__5D	2923-10-26A	21 ⁷ / ₈	6	10 ⁵ / ₈	24

- ① When installing blower, allow sufficient space beyond filter for removal for cleaning.
- ② Approximate weight, includes filter and flange.
- ③ Nominal pipe size of filter-adapter (6" size and smaller are threaded).
- ④ When ordering complete filter, add a suffix: W for the oil-wetted metal screen filter, or T for the paper (throwaway) model.

**REPRESENTATIVE OF
THREADED CONNECTIONS**



For dimensions and data on filter elements, refer to Bulletin 2923.