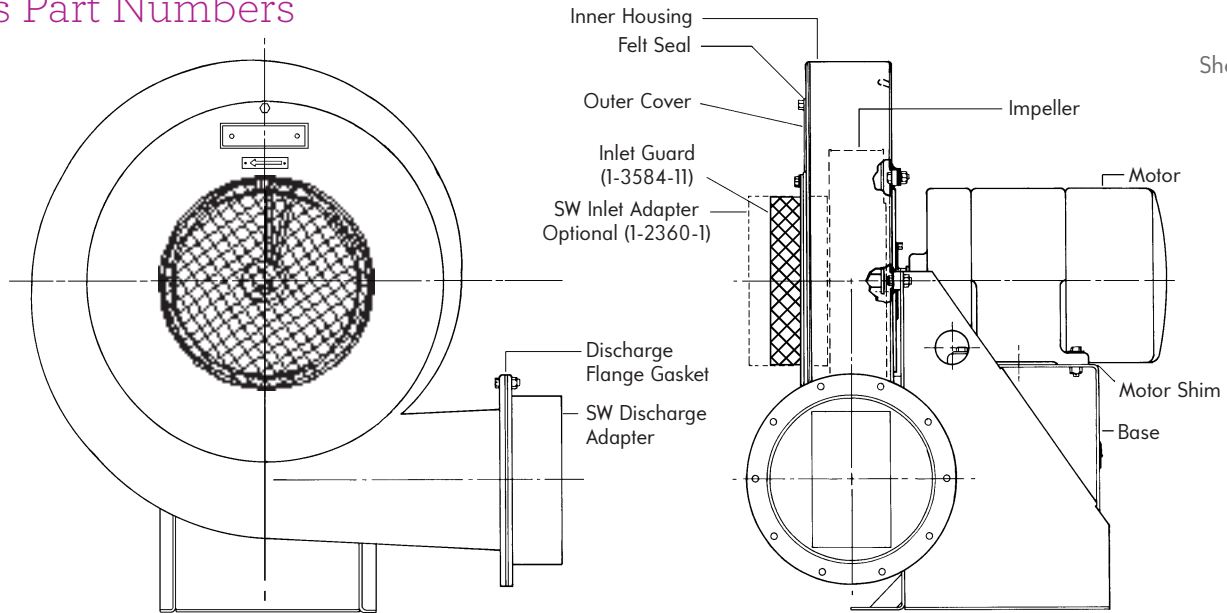


North American 2408, 12, 16, (G, H) Blowers Part Numbers



Sheet 2400-6GH

Blower designation	Base†	Inner housing	Outer cover	Impeller	Motor shim	SW discharge adapter	Discharge flange gasket
2408-G—20	1-2300-2	1-2298-1	1-2299-2	1-3005-1	1-1662-3	1-2378-5	1-2379-1
2408-G—25	1-2300-2	1-2298-1	1-2299-2	1-3005-2	None	1-2378-6	1-2379-1
2408-G—30	1-2300-2	1-2298-1	1-2299-2	1-3005-3	None	1-2381-2	1-2379-1
2408-G—40	1-2300-3	1-2298-1	1-2299-2	1-3005-4	1-1662-5	1-2381-2	1-2379-1
2408-G—50	1-2300-3	1-2298-1	1-2299-2	1-3005-5	1-1662-5	1-2381-2	1-2379-1
2408-H—50	1-2300-3	1-2825-1	1-2826-1	1-3005-18	1-1662-5	1-2827-2	1-2828-1
2412-G—25	1-2300-2	1-2298-1	1-2299-2	1-3005-16	None	1-2378-4	1-2379-1
2412-G—30	1-2300-2	1-2298-1	1-2299-2	1-3005-17	None	1-2378-5	1-2379-1
2412-G—40	1-2300-3	1-2298-1	1-2299-2	1-3005-18	1-1662-5	1-2378-6	1-2379-1
2412-G—50	1-2300-3	1-2298-1	1-2299-2	1-3005-19	1-1662-5	1-2381-2	1-2379-1
2412-G—60	1-2300-3	1-2298-1	1-2299-2	1-3005-20	None	1-2381-2	1-2379-1
2416-G—30	1-2300-2	1-2298-1	1-2299-2	1-3005-31	None	1-2378-4	1-2379-1
2416-G—40	1-2300-3	1-2298-1	1-2299-2	1-3005-32	1-1662-5	1-2378-5	1-2379-1
2416-G—50	1-2300-3	1-2298-1	1-2299-2	1-3005-33	1-1662-5	1-2378-6	1-2379-1

† Coupled Drive Base - G - 1-2427-1

SW Inlet Adapter. Figure 1 shows an SW Inlet Adapter which may be specified in place of an inlet guard. An SW Inlet Adapter is suitable for use with Series 2947 Blower Sleeves, or for making a welded pipe connection.



Figure 1

WARNING: Situations dangerous to personnel may exist with the operation and maintenance of any combustion equipment. The presence of fuels, oxidants, hot and cold combustion products, hot surfaces, electrical power in control and ignition circuits, etc., are inherent with any combustion application. Components in combustion systems may exceed 160°F (71°C) surface temperatures and present hot surface contact hazard. Fives North American Combustion, Inc. suggests the use of combustion systems that are in compliance with all Safety Codes, Standards, Regulations and Directives, and care in operation.

CONTACT

fna.sales@fivesgroup.com

T +1 800 626 3477 - F +1 216 373 4237

Fives North American Combustion, Inc.
4455 East 71st Street - Cleveland, OH 44105 - USA
www.fivesgroup.com