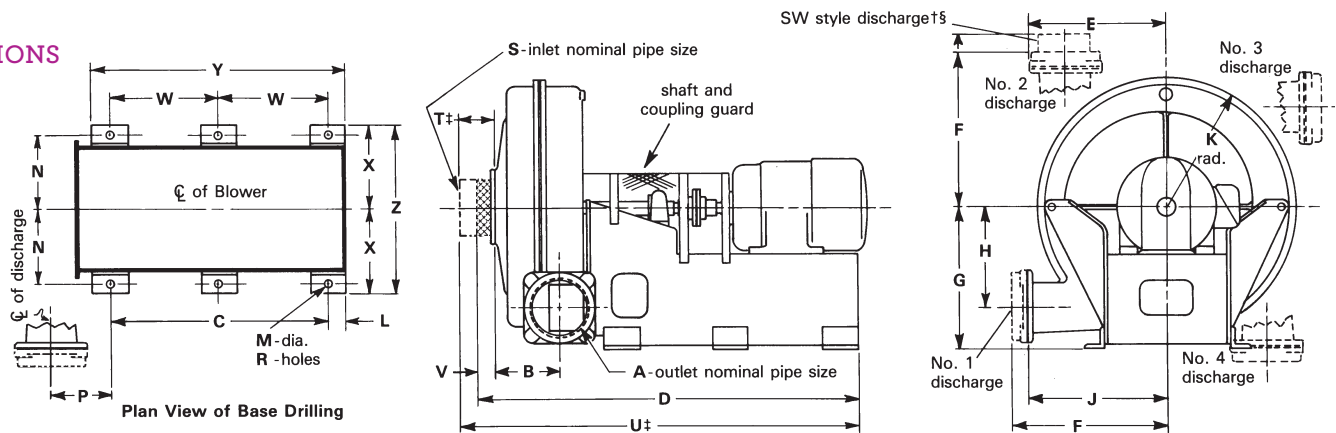


North American 2300 Series Coupled Drive Turbo Blowers

Sheet 2300-11

DIMENSIONS



All dimensions are in inches. Dimensions shown apply only to blowers with T-frame motors.
Consult North American for dimensions of blowers with other motors.

Blower designation*	A	B	C	D	E	F	G	H	J	K	L	M	N	P	R	S	T [‡]	U [‡]	V	W	X	Y	Z
2304-11/1- <u>3</u> C	2 $\frac{5}{8}$	1 $\frac{3}{8}$	15 $\frac{3}{4}$	22 $\frac{3}{32}$	7 $\frac{1}{16}$	9 $\frac{9}{16}$ §	8 $\frac{3}{4}$	5 $\frac{9}{16}$	8 $\frac{1}{2}$	7	1 $\frac{1}{2}$	$\frac{7}{16}$	5 $\frac{1}{4}$	22 $\frac{3}{32}$	4	3	4	25 $\frac{11}{32}$	$\frac{3}{4}$	—	6	18 $\frac{3}{4}$	12
2308-11/3- <u>3</u> C	2 $\frac{5}{8}$	3 $\frac{1}{2}$	15 $\frac{3}{4}$	24 $\frac{7}{32}$	7 $\frac{1}{16}$	9 $\frac{9}{16}$ §	8 $\frac{3}{4}$	5 $\frac{9}{16}$	8 $\frac{1}{2}$	7	1 $\frac{1}{2}$	$\frac{7}{16}$	5 $\frac{1}{4}$	22 $\frac{3}{32}$	4	3	4	27 $\frac{15}{32}$	$\frac{3}{4}$	—	6	18 $\frac{3}{4}$	12
2308-14/1- <u>7</u> 5C	3 $\frac{5}{8}$	2 $\frac{1}{8}$	18 $\frac{3}{8}$	28	10 $\frac{3}{8}$	13 $\frac{1}{16}$ §	11 $\frac{3}{4}$	8 $\frac{3}{8}$	11 $\frac{1}{2}$	10 $\frac{1}{16}$	2 $\frac{1}{2}$	$\frac{9}{16}$	7 $\frac{5}{8}$	4 $\frac{3}{16}$	4	3	4	31 $\frac{3}{16}$	$\frac{13}{16}$	—	8 $\frac{3}{4}$	23 $\frac{3}{8}$	17 $\frac{1}{2}$
2308-14/1- <u>1</u> C	3 $\frac{5}{8}$	2 $\frac{1}{8}$	18 $\frac{3}{8}$	28	10 $\frac{3}{8}$	13 $\frac{1}{16}$ §	11 $\frac{3}{4}$	8 $\frac{3}{8}$	11 $\frac{1}{2}$	10 $\frac{1}{16}$	2 $\frac{1}{2}$	$\frac{9}{16}$	7 $\frac{5}{8}$	4 $\frac{3}{16}$	4	3	4	31 $\frac{3}{16}$	$\frac{13}{16}$	—	8 $\frac{3}{4}$	23 $\frac{3}{8}$	17 $\frac{1}{2}$
2308-17/1- <u>1</u> 5C	6 $\frac{5}{8}$	2 $\frac{11}{16}$	18 $\frac{3}{8}$	28 $\frac{15}{16}$	11 $\frac{9}{16}$	16 $\frac{7}{8}$ §	11 $\frac{3}{4}$	8 $\frac{1}{4}$	11 $\frac{1}{2}$	10 $\frac{1}{16}$	2 $\frac{1}{2}$	$\frac{9}{16}$	7 $\frac{5}{8}$	4 $\frac{3}{16}$	4	4	4	32 $\frac{1}{8}$	$\frac{13}{16}$	—	8 $\frac{3}{4}$	23 $\frac{3}{8}$	17 $\frac{1}{2}$
2308-24/1- <u>2</u> C	6 $\frac{5}{8}$	3 $\frac{15}{16}$	19 $\frac{9}{16}$	32 $\frac{3}{8}$	13 $\frac{3}{8}$	15 $\frac{5}{16}$ §	13 $\frac{3}{4}$	9	13 $\frac{1}{2}$	12 $\frac{5}{16}$	2 $\frac{1}{2}$	$\frac{9}{16}$	7 $\frac{5}{8}$	5 $\frac{7}{16}$	4	6	4	35 $\frac{3}{16}$	$\frac{13}{16}$	—	9	24 $\frac{5}{16}$	18
2308-24/1- <u>3</u> C	8†	3 $\frac{15}{16}$	19 $\frac{9}{16}$	32 $\frac{3}{8}$	13 $\frac{3}{16}$	19 $\frac{11}{16}$ †	13 $\frac{3}{4}$	9	13 $\frac{1}{2}$	12 $\frac{5}{16}$	2 $\frac{1}{2}$	$\frac{9}{16}$	7 $\frac{5}{8}$	5 $\frac{7}{16}$	4	6	4	35 $\frac{3}{16}$	$\frac{13}{16}$	—	9	24 $\frac{5}{16}$	18
2308-31/1- <u>5</u> C	10†	3 $\frac{5}{16}$	23 $\frac{11}{16}$	33 $\frac{3}{16}$	15 $\frac{5}{8}$	30 $\frac{3}{8}$ †	18 $\frac{1}{4}$	10 $\frac{1}{4}$	18	14 $\frac{7}{8}$	2 $\frac{1}{2}$	$\frac{9}{16}$	9 $\frac{3}{8}$	7 $\frac{11}{32}$	4	8	4	36 $\frac{1}{16}$	1 $\frac{1}{2}$	—	10 $\frac{1}{2}$	29 $\frac{11}{16}$	21
2308-31/1- <u>7</u> 5C	10†	3 $\frac{5}{16}$	23 $\frac{11}{16}$	33 $\frac{3}{16}$	15 $\frac{5}{8}$	30 $\frac{3}{8}$ †	18 $\frac{1}{4}$	10 $\frac{1}{4}$	18	14 $\frac{7}{8}$	2 $\frac{1}{2}$	$\frac{9}{16}$	9 $\frac{3}{8}$	7 $\frac{11}{32}$	4	8	4	36 $\frac{1}{16}$	1 $\frac{1}{2}$	—	10 $\frac{1}{2}$	29 $\frac{11}{16}$	21
2308-21/1- <u>1</u> 0C	12†	3 $\frac{15}{16}$	22 $\frac{5}{8}$	41 $\frac{7}{16}$	20 $\frac{5}{8}$	38 $\frac{7}{16}$ †	25 $\frac{1}{2}$	13 $\frac{7}{8}$	25	19 $\frac{3}{4}$	2 $\frac{1}{2}$	$\frac{9}{16}$	9 $\frac{3}{4}$	10 $\frac{1}{8}$	4	10	4	43 $\frac{3}{16}$	2 $\frac{1}{4}$	—	10 $\frac{3}{4}$	30 $\frac{1}{8}$	21 $\frac{1}{2}$
2308-47/1- <u>4</u> 0C	24†	12 $\frac{1}{2}$	37	79 $\frac{7}{16}$	33 $\frac{1}{2}$	54 $\frac{7}{16}$ †	35	20 $\frac{1}{2}$	38	31 $\frac{3}{16}$	2	1	13 $\frac{3}{4}$	23 $\frac{5}{8}$	4	24	—	4 $\frac{5}{16}$	—	—	15	41 $\frac{1}{2}$	30
2308-47/1- <u>5</u> 0C	24†	12 $\frac{1}{2}$	37	79 $\frac{7}{16}$	33 $\frac{1}{2}$	54 $\frac{7}{16}$ †	35	20 $\frac{1}{2}$	38	31 $\frac{3}{16}$	2	1	13 $\frac{3}{4}$	23 $\frac{5}{8}$	4	24	—	4 $\frac{5}{16}$	—	—	15	41 $\frac{1}{2}$	30
2310-11/4- <u>5</u> C	2 $\frac{5}{8}$	4 $\frac{11}{16}$	15 $\frac{3}{4}$	25 $\frac{13}{32}$	7 $\frac{1}{16}$	9 $\frac{9}{16}$ §	8 $\frac{3}{4}$	5 $\frac{9}{16}$	8 $\frac{1}{2}$	7	1 $\frac{1}{2}$	$\frac{7}{16}$	5 $\frac{1}{4}$	22 $\frac{3}{32}$	4	3	4	28 $\frac{21}{32}$	$\frac{3}{4}$	—	6	18 $\frac{3}{4}$	12
2310-19/1- <u>7</u> 5C	3 $\frac{5}{8}$	2 $\frac{13}{16}$	17 $\frac{3}{4}$	28 $\frac{1}{2}$	13 $\frac{1}{2}$	15 $\frac{9}{16}$ §	15	10 $\frac{3}{4}$	14	13 $\frac{5}{16}$	2 $\frac{1}{2}$	$\frac{9}{16}$	7	4 $\frac{5}{8}$	4	3	4	31 $\frac{11}{16}$	$\frac{13}{16}$	—	8 $\frac{1}{8}$	22 $\frac{3}{4}$	16 $\frac{1}{4}$
2310-19/1- <u>1</u> C	4 $\frac{5}{8}$	2 $\frac{13}{16}$	17 $\frac{3}{4}$	28 $\frac{1}{2}$	13 $\frac{1}{2}$	15 $\frac{9}{16}$ §	15	10 $\frac{3}{4}$	14	13 $\frac{5}{16}$	2 $\frac{1}{2}$	$\frac{9}{16}$	7	4 $\frac{5}{8}$	4	3	4	31 $\frac{11}{16}$	$\frac{13}{16}$	—	8 $\frac{1}{8}$	22 $\frac{3}{4}$	16 $\frac{1}{4}$
2310-19/1- <u>1</u> 5C	6 $\frac{5}{8}$	2 $\frac{13}{16}$	17 $\frac{3}{4}$	28 $\frac{1}{2}$	14 $\frac{1}{16}$	19 $\frac{3}{8}$ §	15	10 $\frac{3}{4}$	14	13 $\frac{5}{16}$	2 $\frac{1}{2}$	$\frac{9}{16}$	7	4 $\frac{5}{8}$	4	4	4	31 $\frac{11}{16}$	$\frac{13}{16}$	—	8 $\frac{1}{8}$	22 $\frac{3}{4}$	16 $\frac{1}{4}$
2310-19/1- <u>2</u> C	6 $\frac{5}{8}$	2 $\frac{13}{16}$	17 $\frac{3}{4}$	28 $\frac{1}{2}$	14 $\frac{1}{16}$	19 $\frac{3}{8}$ §	15	10 $\frac{3}{4}$	14	13 $\frac{5}{16}$	2 $\frac{1}{2}$	$\frac{9}{16}$	7	4 $\frac{5}{8}$	4	4	4	31 $\frac{11}{16}$	$\frac{13}{16}$	—	8 $\frac{1}{8}$	22 $\frac{3}{4}$	16 $\frac{1}{4}$
2310-26/1- <u>3</u> C	6 $\frac{5}{8}$	3 $\frac{9}{16}$	23 $\frac{3}{8}$	36 $\frac{1}{8}$	15 $\frac{5}{8}$	17 $\frac{13}{16}$ §	16 $\frac{1}{4}$	11 $\frac{3}{4}$	16	14 $\frac{3}{4}$	1 $\frac{1}{2}$	$\frac{9}{16}$	8 $\frac{5}{8}$	6 $\frac{15}{32}$	4	6	4	38 $\frac{15}{16}$	$\frac{13}{16}$	—	9 $\frac{3}{4}$	28 $\frac{3}{8}$	19 $\frac{1}{2}$
2310-26/1- <u>5</u> C	8†	3 $\frac{9}{16}$	23 $\frac{3}{8}$	36 $\frac{1}{8}$	15 $\frac{13}{16}$	22 $\frac{3}{16}$ †	16 $\frac{1}{4}$	11 $\frac{3}{4}$	16	14 $\frac{3}{4}$	1 $\frac{1}{2}$	$\frac{9}{16}$	8 $\frac{5}{8}$	6 $\frac{15}{32}$	4	6	4	38 $\frac{15}{16}$	$\frac{13}{16}$	—	9 $\frac{3}{4}$	28 $\frac{3}{8}$	19 $\frac{1}{2}$
2310-35/1- <u>7</u> 5C	10†	2 $\frac{3}{4}$	31 $\frac{3}{8}$	44 $\frac{5}{8}$	18 $\frac{3}{4}$	35 $\frac{7}{8}$ †	23 $\frac{1}{2}$	13 $\frac{3}{8}$	23	18 $\frac{13}{16}$	1 $\frac{1}{2}$	$\frac{9}{16}$	10 $\frac{3}{8}$	7 $\frac{1}{2}$	4	8	4	47 $\frac{1}{8}$	1 $\frac{1}{2}$	—	11 $\frac{1}{2}$	36 $\frac{3}{8}$	23
2310-21/1- <u>1</u> 0C	12†	3 $\frac{15}{16}$	22 $\frac{5}{8}$	41 $\frac{7}{16}$	20 $\frac{5}{8}$	38 $\frac{7}{16}$ †	25 $\frac{1}{2}$	13 $\frac{7}{8}$	25	19 $\frac{3}{4}$	2 $\frac{1}{2}$	$\frac{9}{16}$	9 $\frac{3}{4}$	10 $\frac{1}{8}$	4	10	4	43 $\frac{3}{16}$	2 $\frac{1}{4}$	—	10 $\frac{3}{4}$	30 $\frac{1}{8}$	21 $\frac{1}{2}$
2310-47/1- <u>4</u> 0C	20†	12 $\frac{1}{2}$	37	79 $\frac{7}{16}$	33 $\frac{1}{2}$	54 $\frac{7}{16}$ †	35	20 $\frac{1}{2}$	38	31 $\frac{3}{16}$	2	1	13 $\frac{3}{4}$	23 $\frac{5}{8}$	4	24	—	4 $\frac{5}{16}$	—	—	15	41 $\frac{1}{2}$	30
2310-47/1- <u>5</u> 0C	24†	12 $\frac{1}{2}$	37	79 $\frac{7}{16}$	33 $\frac{1}{2}$	54 $\frac{7}{16}$ †	35	20 $\frac{1}{2}$	38	31 $\frac{3}{16}$	2	1	13 $\frac{3}{4}$	23 $\frac{5}{8}$	4	24	—	4 $\frac{5}{16}$	—	—	15	41 $\frac{1}{2}$	30

* Explanation of designation: 2304-11/1-3C means 2300 series, 4 psi pressure, inner housing no. 11, 1 stage, $\frac{1}{3}$ hp motor, coupled drive.

‡ Listed T and U dimensions are for SW inlet. For threaded inlet where S = 3", T = 1 $\frac{3}{4}$ "; S = 4", T = 1 $\frac{7}{8}$ "; S = 6", T = 5".

If S is greater than 6", threaded inlet is not available.

† SW discharge (unthreaded pipe) 8" and larger is included in F.