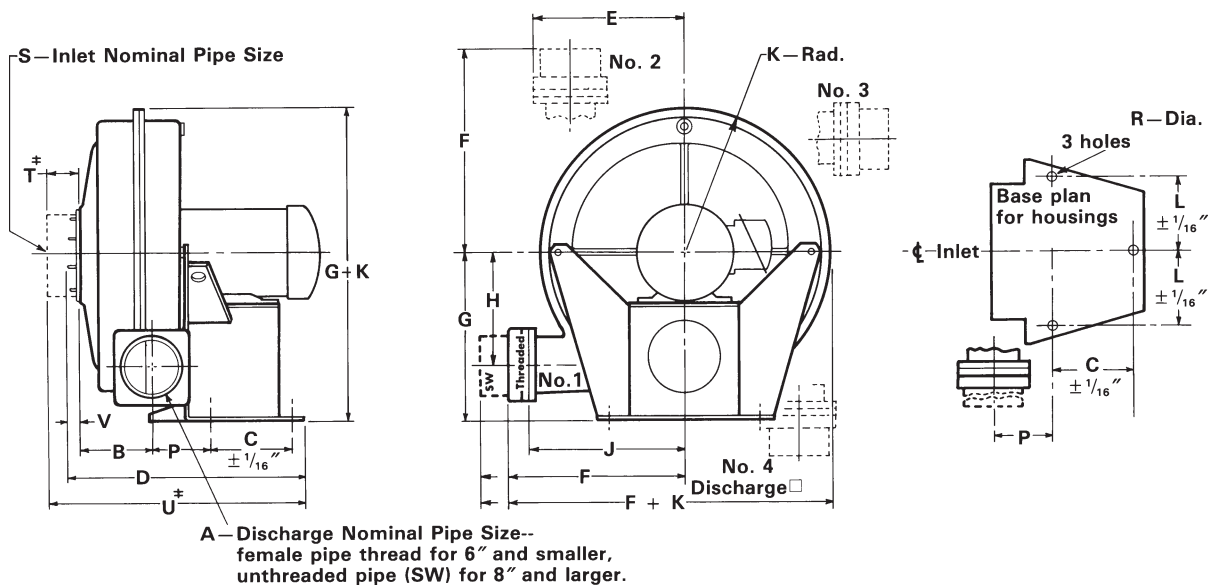


Three non-catalog North American Standard Direct Drive Blowers

Sheet 2300-9



All dimensions are in inches. Dimensions shown apply only to blowers with T-frame motors.
Consult North American for dimensions of blowers with other motors.

Blower designation	A	B	C	D	E	F	G	H	J	K	L	P	R	S	T †	U †	V	F+K	G+K
2308-17/1__2D	6 §	2 1/16	6	14 5/16	12	16 7/8 §	12 1/4	8 1/4	11 1/2	10 9/16	5 1/2	4	3/4	4	4	17 1/2	1 3/16	27 1/16 §	22 13/16
2312-26/1-__7.5D	8 †	3 7/8	5 1/4	16 9/16	15 13/16	22 3/16 †	16 1/4	11 3/4	16	14 3/4	7	5 7/16	3/4	6	4	19 3/8	1 3/16	36 15/16 †	31
2316-19/1-__5D	6 §	3 1/4	6 1/4	15 7/16	13 1/2	15 1/16 §	15	10 3/4	14	13 3/4	6 3/4	4 3/4	3/4	4	4	18 5/8	1 3/16	28 7/8 §	28 5/16

‡ Listed T and U dimensions are for SW inlet. For threaded inlet, T is 1/2".

† SW discharge (unthreaded pipe) is standard and is included in F.

§ Female pipe thread is standard. If SW discharge (unthreaded pipe) is specified, add 3/4" to F.

□ Number 4 discharge position, straight down, can be furnished on special order, a notch having to be cut out of the base at time of assembly.