

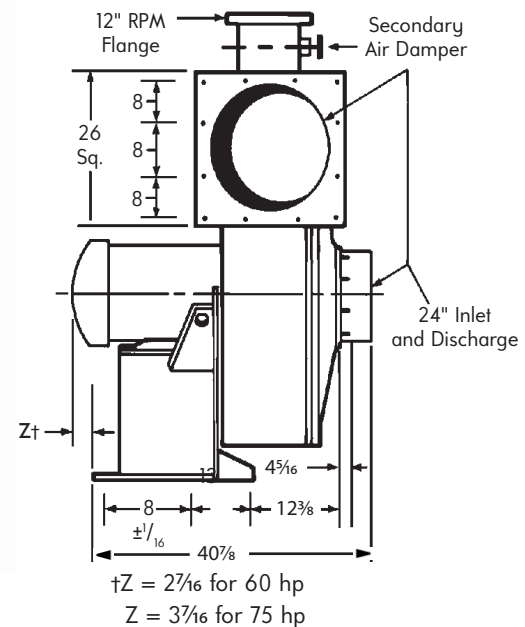
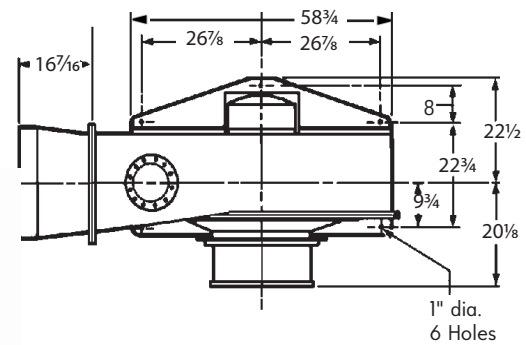
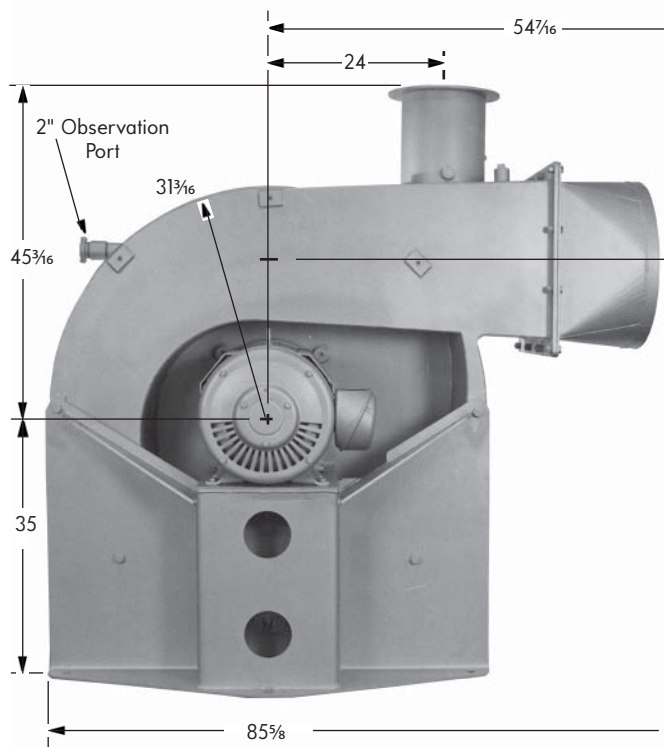
## North American 2312-48 Blowers for Industrial Applications

Sheet 2300-2

Blower designation	Motor hp	At 100% of Motor Rating		At 115% of Motor Rating		Impeller		Wt, lb
		Volume cfh	Pressure osi	Volume cfh	Pressure osi	OD	Bore	
2312-48/1-_60D	60	720 000	11.5	840 000	11	38"	2 <sup>3</sup> / <sub>8</sub> "	2150
2312-48/1-_75D	75	810 000	12.8	930 000	12.5	41"	2 <sup>3</sup> / <sub>8</sub> "	2200

Motor: 1800 rpm  
 Inlet/Outlet: 24"  
 Vertical Output: 12" Secondary Air Damper  
 Discharge Position: #3 Only

### DIMENSIONS INCHES



DIMENSIONS SHOWN ARE SUBJECT TO CHANGE. PLEASE OBTAIN CERTIFIED PRINTS FROM FIVES NORTH AMERICAN COMBUSTION, INC.  
 IF SPACE LIMITATIONS OR OTHER CONSIDERATIONS MAKE EXACT DIMENSION(S) CRITICAL.

**WARNING:** Situations dangerous to personnel and property may exist with the operation and maintenance of any combustion equipment. The presence of fuels, oxidants, hot and cold combustion products, hot surfaces, electrical power in control and ignition circuits, etc., are inherent with any combustion application. Components in combustion systems may exceed 160°F (71°C) surface temperatures and present hot surface contact hazard. Fives North American Combustion, Inc. suggests the use of combustion systems that are in compliance with all Safety Codes, Standards, Regulations and Directives; and care in operation.

#### CONTACT

fna.sales@fivesgroup.com  
 T +1 800 626 3477 - F +1 216 373 4237

Fives North American Combustion, Inc.  
 4455 East 71st Street - Cleveland, OH 44105 - USA  
 www.fivesgroup.com