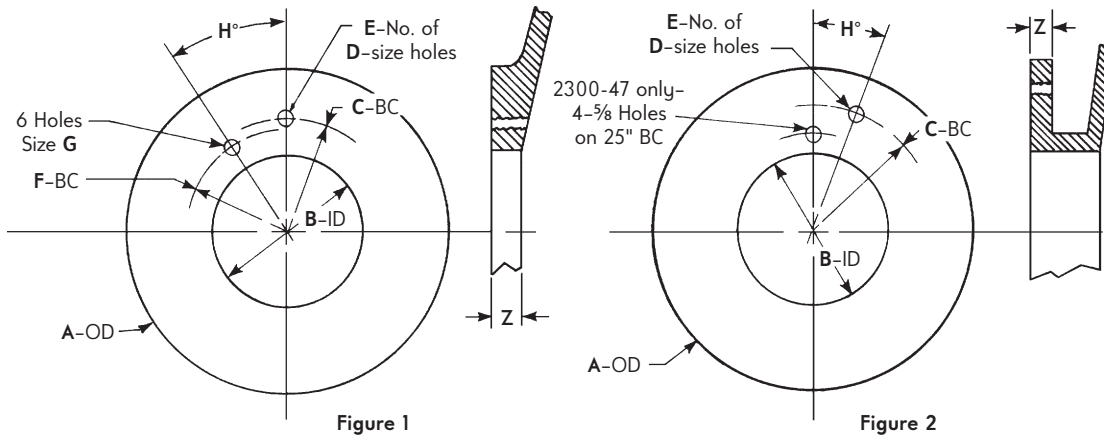


North American 300, 2300 and 2400 Turbo Blowers Inlet and Discharge Dimensions

Sheet 2000-4



INLET DIMENSIONS in inches (1 = 25.40 mm)

Blower designation	Former designation	Refer to Figure	A	B	C	D	E	F	G	H°	Z
2304-11	304-A	1	5	4	4½	10-24 ^①	4	—	—	—	—
2308-11	308-A	1	5¼	3¾	4½	10-24	4	—	—	—	1½ ₃₂
2310-11	310-A										
2312-11	312-A										
2300-14	300-B	1	7	5	5 ¹³ / ₁₆	¼-20	4	5 ¹³ / ₁₆	5/16-18	45°	7/16
2300-17	300-C	1	7¼	5	5 ¹³ / ₁₆	¼-20	4	5 ¹³ / ₁₆	5/16-18	45°	7/16
2300-19	300-CS										
2308-21, 2310-21	308-FS, 310-FS	2	16	11	14¼	¼-13	6	—	—	30°	3/8
2344-21	344-CC										
2316-21, 2320-21	316-CC, 320-CC	1	16	11	—	—	—	14¼	½-13	30°	¾
2332-21	332-CC	1	18	13	—	—	—	16¼	½-13	30°	¾
2312-21	312-FS1										
2324-21	324-M1-20										
2300-24	308-D1, 316-D2	1	8¾	6½	7 ¹⁵ / ₁₆	¼-20	4	7½	½-16	45°	7/16
2300-26	310-D1, 312-D1, 316-DS1, 320-D2, 324-D2	1	8¾	6½	7 ¹⁵ / ₁₆	¼-20	4	7½	¾-16	45°	7/16
2300-28	316-D1, 332-D2, 344-D3	1	11½	8	9½	¼-20	4	10¼	¾-16	45°	9/16
2300-31	308-E1, 316-E2	1	11½	9	10¼	¼-20	4	10¼	¾-16	45°	9/16
2316-33	316-EE	2	18	12	16¼	¼	6	—	—	30°	¾
2320-33	320-M										
2324-33/1	324-M1-25, 30, 40										
-25, -30, -40	332-EE										
2332-33	332-EE	2	19	14	16¼	¼	6	—	—	30°	7/16
2324-33/1	324-H										
-50, -60	310-E1, 312-E1										

① Studs approximately ½" long.

② See note on Fig. 2.

③ For discharge position #1

④ For intake guard

⑤ For 14" ASA flange