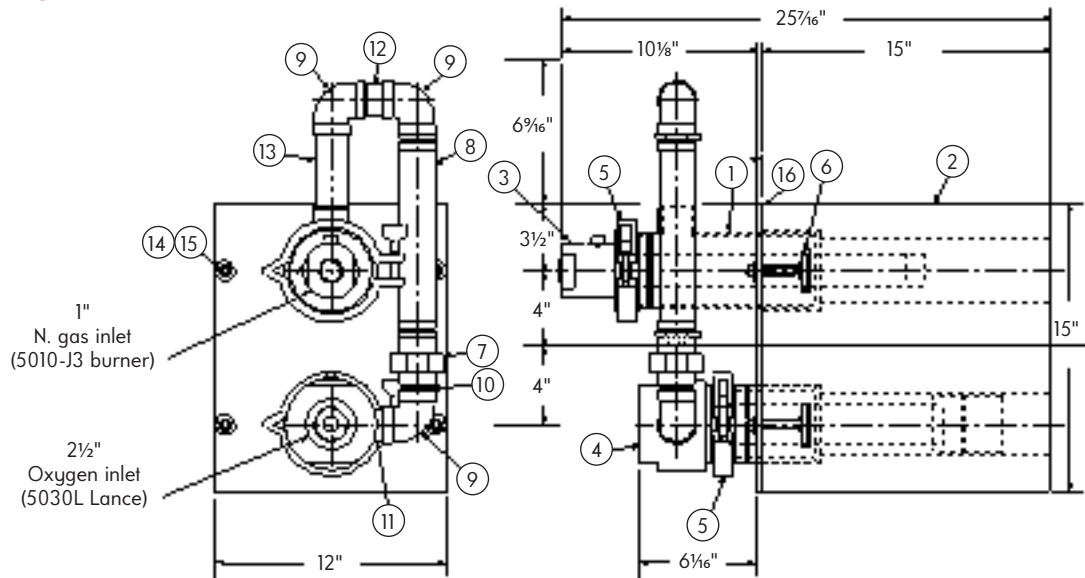


## DIMENSIONS



DIMENSIONS SHOWN ARE SUBJECT TO CHANGE. PLEASE OBTAIN CERTIFIED PRINTS FROM FIVES NORTH AMERICAN COMBUSTION, INC. IF SPACE LIMITATIONS OR OTHER CONSIDERATIONS MAKE EXACT DIMENSION(S) CRITICAL.

## PARTS LIST

Item	Description	Quantity	Material	Part no.
1	Mounting plate	1	—	4-22965-1
2	Tile	1	Refractory	4-22951-1
3	"J" burner (special)	—	—	4-22935-1
4	"L" lance (special)	—	—	4 - 22957-1
5	Clamp	2	SST	R120-1175
6	Anchor	4	SST	4-22952-1
7	Orifice union	1	—	8699-2-C815
8	1/4" flex hose x 12" long	1	—	8773-2-HTT/12C
9	1/4" x 90° elbow	3	SST	R590-4571-S
10	1/4" x close nipple	1	304 SST	R590-6600-S
11	1/4" x 2" long nipple	1	304 SST	R590-6601-S
12	1/4" x 2 1/2" long nipple	1	304 SST	R590-6602-S
13	1/4" x 5" long nipple	1	304 SST	R590-6607-S
14	3/8-16 hex nut	4	Steel	R510-2259-C
15	3/8 flat washer	4	Steel	R970-7300
16	Joint compound	—	—	R110-7230-LB

North American offers "Total Process Solutions" for your combustion needs. Custom Oxygen Control Systems (Bulletin 8502) and MARC® III Oxy Combustion Controller (Bulletin 8198) are ideal compliments to the 5013G burner. Contact your local North American office for further information.

**WARNING:** All equipment and pipe used with oxygen must be made of suitable materials and properly cleaned for oxygen service. Operating personnel should be trained in safety procedures. Failure to do so could result in accidental injury or death. Contact your oxygen supplier and Fives North American Combustion, Inc. for information.

**WARNING:** Situations dangerous to personnel and property may exist with the operation and maintenance of any combustion equipment. The presence of fuels, oxidants, hot and cold combustion products, hot surfaces, electrical power in control and ignition circuits, etc., are inherent with any combustion application. Parts of this product may exceed 160F in operation and present a contact hazard. Fives North American Combustion, Inc. urges compliance with National Safety Standards and Insurance Underwriters' recommendations, and care in operation.