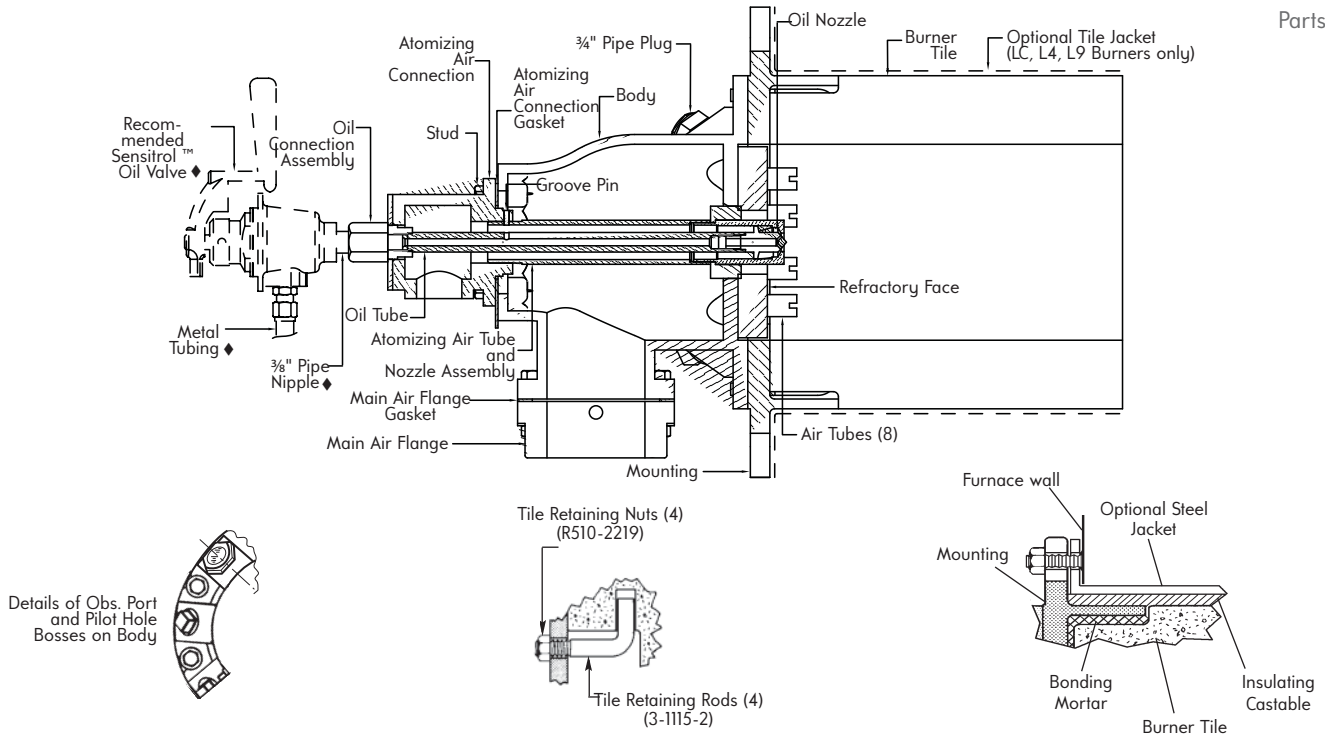


North American Fire All™ Oil Burners

Parts List 5425



Part Name	Parts for 5425 Burners							
	5425-2	5425-3	5425-4	5425-5	5425-6	5425-7-A	5425-7-B	5425-8-A
Burner Only (Assembly)	5425-2-BO	5425-3-BO	5425-4-BO	5425-5-BO	5425-6-BO	5425-7-ABO	5425-7-BBO	5425-8-ABO
Body	3-2466-9	3-2466-9	3-2466-9	3-2466-9	3-2466-10	3-3267-3	3-3267-3	4-3267-4
Atomizer Assembly	3-7497-1	3-7497-1	3-7497-1	3-7497-2	3-7497-3	3-7497-4	3-7497-4	3-7497-5
Atom. Air Tube & Nozzle Assy.	3-3484-1	3-3484-1	3-3484-1	3-3484-2	3-3484-2	3-3484-3	3-3484-3	3-6376-1
Atomizing Air Connection	3-2474-1	3-2474-1	3-2474-1	3-2474-2	3-2474-2	3-3324-1	3-3324-1	3-6081-1
Atomizing Air Connection Gkt.	3-3343-1	3-3343-1	3-3343-1	3-3343-1	3-3343-1	3-3326-2	3-3326-2	3-3326-2
Oil Connection Assembly	3-2391-1	3-2391-1	3-2391-1	3-2391-1	3-2391-1	3-2391-1	3-2391-1	3-2519-2
Machine Screw (2)				R774-2530				R774-2550
Groove Pin			R570-2300				R570-2310	
Studs (2)					R570-1355			
Oil Tube	3-2470-5	3-2470-5	3-2470-5	3-2470-5	3-2470-6	3-2470-9	3-2470-9	3-6377-1
Oil Nozzle	3-2541-1	3-2541-1	3-2541-1	3-2541-1	3-1056-4	3-2541-1	3-2541-1	3-6077-1
Rec. Sensitrol Oil Valve		1813-02-A			1813-02-B	1813-02-C	1813-02-C	1813-02-D
Metal Tubing					3-0310-7			
Hex Cap Screws (4)			R066-2670				R066-2930	
Refractory Face	4-4038-3	4-4038-3	4-4038-3	4-4038-3	4-4038-4	4-4039-2	4-4039-2	4-6127-1
Air Tubes (8)	3-3643-1*	3-3643-2*	3-3640-2	3-3639-2	3-3554-2	3-3273-3	3-3273-4	4-3684-2
Main Air Flange	3-2544-2	3-2544-1	4-1695-2	4-1695-3	4-1695-9	4-1695-5	4-1695-5	2-1210-2
Main Air Flange Gasket	4-5371-2	4-5371-2	4-5371-2	4-5371-2	4-5371-2	4-5371-3	4-5371-3	4-5371-3
Hex Cap Bolts (4)			R066-2640				R066-2950	
Hex Nuts (4)			R510-2219				R510-2259	
Mounting (hard wall)	3-3257-1	3-3257-1	3-3257-1	3-3257-1	3-3257-1	3-3270-1	3-3270-1	3-3270-1
Burner Tile (9")	4-2121-2	4-2121-2	4-2121-2	4-2121-2	4-2121-2	4-2142-2	4-2142-2	4-2142-2
Tile Retaining Rods (4)					3-1115-2			
Tile Retaining Hex Nuts (4)					R510-2219			
Cap Bolts (8)			R066-2920				R066-3420	
Flat Washers (8)			R970-7300-C				R970-7370	
Observation Port					8790-0			