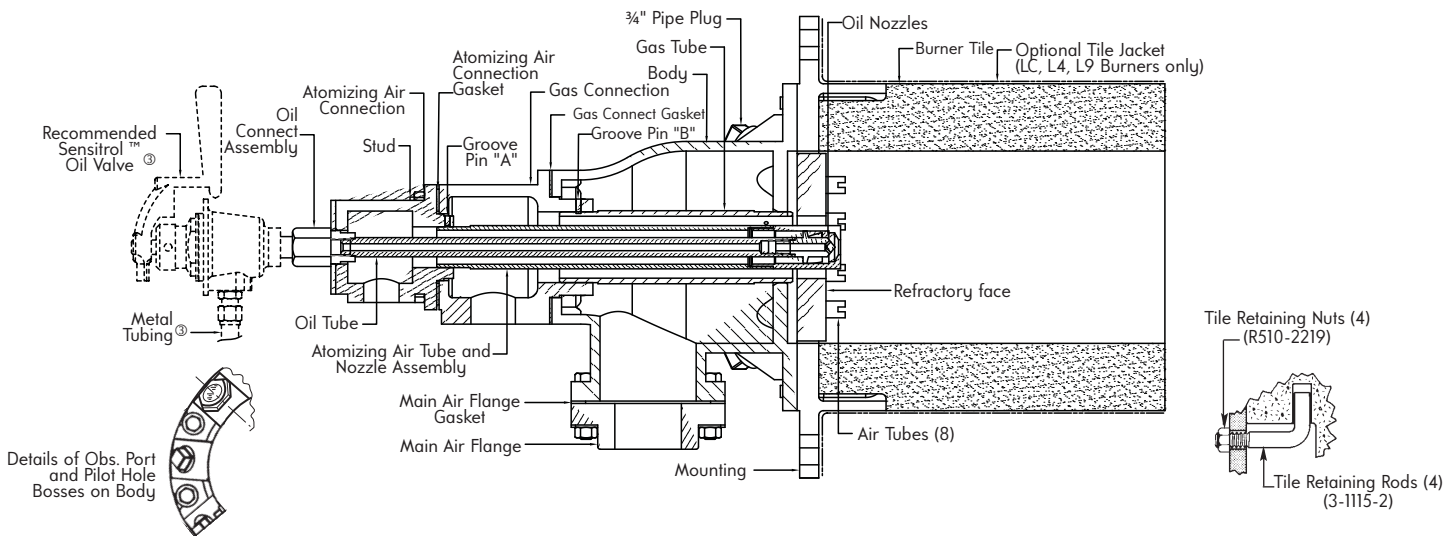


North American 6425 Dual-Fuel™ Burners

Parts List 6425



Part Name	6425-2	6425-3	6425-4	6425-5	6425-6	6425-7-A	6425-7-B	6425-8-A
Air Tubes (8req'd), Inconel	3-3643-1 ^①	3-3643-2 ^①	3-3640-2	3-3639-2	3-3554-2	3-3273-3	3-3273-4	4-3684-2
Atom. Air Tube & Nozzle Assembly		3-2887-3		3-2887-2	3-2887-2	3-2887-4	3-2887-4	3-6076-2
Atomizing Air Connection		3-2474-1		3-2474-2	3-2474-2	3-3324-1	3-3324-1	3-6081-1
Atomizing Air Conn. Gasket			3-3343-1			3-3326-2	3-3326-2	3-3326-2
Body		3-2466-9			3-2466-10	3-3267-3	3-3267-3	3-3267-4
Burner Tile (9")			4-2121-2			4-2142-2	4-2142-2	4-2142-2
Gas Connection	3-2465-4	3-2465-4	3-2465-5	3-2465-6	3-2465-6	3-3268-2	3-3268-2	3-6073-1
Gas Connection Gasket			3-2473-2			3-3272-1	3-3272-1	3-3272-1
Gas Tube			3-2468-2			②	②	②
Groove Pin "A"			R570-2277			R570-2310	R570-2310	R570-2310
Groove Pin "B"			R570-2300			—	—	—
Main Air Flange	3-2544-2	3-2544-1	4-1695-2	4-1695-3	4-1695-9	4-1695-5	4-1695-5	8765-8x7-D
Main Air Flange Gasket			4-5371-2			4-5371-3	4-5371-3	4-5371-3
Metal Tubing ^③					3-0310-7			
Mounting (Cast)			3-3257-1			3-3270-1	3-3270-1	3-3270-1
Observation Port					8790-0			
Oil Connection Assembly				3-2391-1				3-2519-2
Oil Tube		3-2470-1			3-2470-2	3-2470-8	3-2470-8	3-2515-1
Oil Nozzle		3-2541-1			3-1056-4	3-2541-1	3-2541-1	3-6077-1
Recommended Sensitrol Oil Valve ^③			1813-02-A		1813-02-B	1813-02-C	1813-02-C	1813-02-D
Refractory Face	4-4038-3	4-4038-3	4-4038-3	4-4038-3	4-4038-4	4-4039-2	4-4039-2	4-6127-1
Studs (4 req'd)			3-2584-1			3-3325-1	3-3324-1	3-3325-1

① Includes 3-3638-1 Adapter

② Gas Tube and Gas Connection are integral on 6425-7-A, -7-B, and -8-A

③ Extra cost option--not part of standard burner assembly, and must be ordered separately.

④ Includes complete mounting, tile, jacket and retaining rods and nuts.

⑤ Includes tile and jacket only.