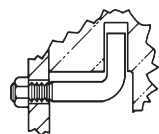


PROCESS TECHNOLOGIES

ENERGY | COMBUSTION

North American 6421 Quick Take-Apart Dual-Fuel Burner

Parts List 6421-2

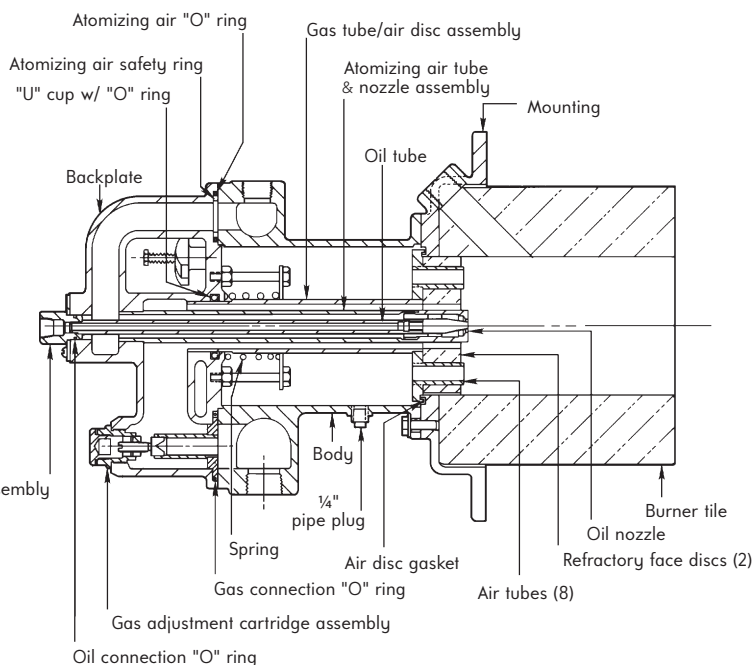


Tile retaining rods (4)



Sensitrol™ oil valve*

Oil connection assembly



Part name	Burner designation					
	6421-4	6421-5	6421-6	6421-7-A	6421-7-B	6421-8-A
Air Disc Gasket	3-5854-1	3-5854-1	3-5854-1	3-8265-1	3-8265-1	3-8265-1
Air Tube (8 req'd.) Inconel	3-3640-2	3-3639-2	3-3554-2	3-3273-3	3-3273-4	4-3684-2
Atom. Air "O" Ring	R520-4280	R520-4280	R520-4280	R520-4315	R520-4315	R520-4315
Atom. Air Conn. "O" Ring Holder	3-16069-1	3-16069-1	3-16069-1	3-16017-1	3-16017-1	3-16017-1
Atom. Air Tube & Nozzle Assembly	3-4587-4	3-4587-4	3-4587-4	3-6121-1	3-6121-1	3-6121-1
Backplate	3-4765-3	3-4765-3	3-4765-3	3-4826-2	3-4826-2	3-4826-2
Backplate Fastener				See page 2		
Backplate Fastener Adapter				See page 2		
Body	3-4764-5	3-4764-6	3-4764-6	3-4822-1	3-4822-1	3-4822-1
Burner Tile	3-6673-2	3-6673-2	3-6673-2	3-6673-3	3-6673-3	3-6673-3
Gas Adjustment Cartridge Assembly	3-7611-1	3-7611-2	3-7611-2	3-7611-3	3-7611-3	3-7611-3
Gas Conn. "O" Ring Holder	3-16049-1	3-16050-1	3-16050-1	3-16051-1	3-16051-1	3-16051-1
Gas Conn. "O" Ring	R520-4350	R520-4350	R520-4350	R520-4375	R520-4375	R520-4375
Gas Tube/Air Disc Assembly	3-5856-1	3-5856-1	3-5856-2	3-12511-1	3-12511-1	3-6125-1
Knob (4 req'd)				See page 2		
Main Air Flange				See page 2		
Main Air Flange Gasket				See page 2		
Mounting	3-5850-1	3-5850-1	3-5850-1	3-4638-4	3-4638-4	3-4638-4
Observation Port				See page 2		
Oil Conn. Assembly	3-4584-1	3-4584-1	3-4584-1	3-4584-1	3-4584-1	3-4584-1
Oil Conn. "O" Ring	R520-4136	R520-4136	R520-4136	R520-4136	R520-4136	R520-4136
Oil Nozzle	3-2541-1	3-2541-1	3-2541-1	3-2541-1	3-2541-1	3-2541-1
Oil Tube	3-4589-3	3-4589-3	3-4589-3	3-6119-1	3-6119-1	3-6119-1
Pipe Plug 3/4" (2 req'd)	R590-7850	R590-7850	R590-7850	R590-7850	R590-7850	R590-7850
Pipe Plug 1/4"	R590-7823	R590-7823	R590-7823	R590-7823	R590-7823	R590-7823
Pipe Plug 1/8" (2 req'd)	R590-7805	R590-7805	R590-7805	R590-7805	R590-7805	R590-7805
Refractory Face Disc (2 req'd)	4-4038-3	4-4038-3	4-4038-3	3-6123-1†	3-6123-1†	3-6123-1†
Sensitrol Oil Valve*	1813-02-A	1813-02-A	1813-02-B	1813-02-C	1813-02-C	1813-02-C
Spring	3-5794-1	3-5794-1	3-5794-1	3-5634-1	3-5634-1	3-6118-1
Swing Bolt (4 req'd)				See page 2		
Tile Retaining Rods	3-1115-2	3-1115-2	3-1115-2	3-1115-2	3-1115-2	3-1115-2
"U" Cup w/"O" Ring	R541-4217	R541-4217	R541-4217	R541-4231	R541-4231	R541-4231

* Sensitrol Oil Valve is not included as part of the burner assembly and must be ordered separately.

† Only 1 required.