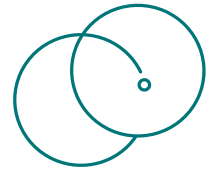




fives

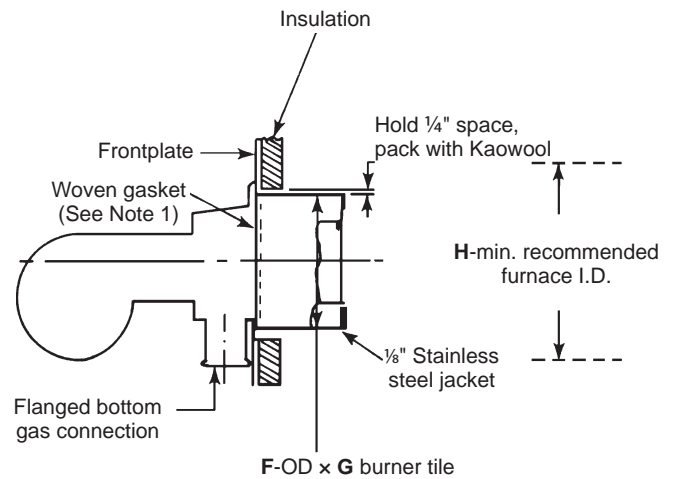
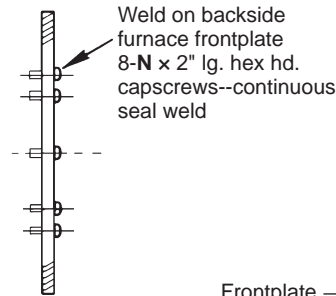
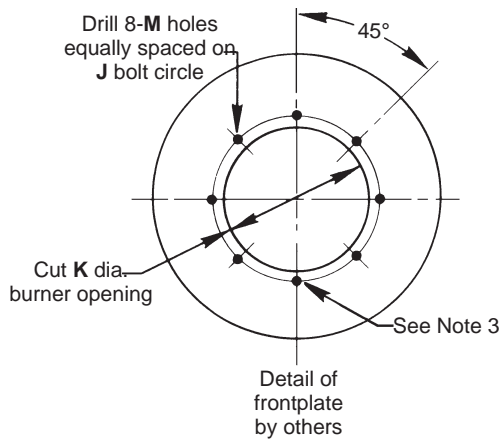


PROCESS TECHNOLOGIES

ENERGY | COMBUSTION

4/5/6131 Packaged Burners with Stainless Steel Tile Jacket Refractory Settings

Sheet 6131-11



Burner model 4131/5131/6131	Size of gas inlet	dimensions in inches						
		F	G	H	J	K	M	N
A	3	16 3/4	11 3/4	23	19 1/2	17 1/2	9/16	1/2
B	3	16 3/4	11 3/4	27	19 1/2	17 1/2	9/16	1/2
C	4	20 1/4	13	37	22 3/4	21	1 1/16	5/8
CS	4	20 1/4	13	34	22 3/4	21	1 1/16	5/8
CL	4	23 3/4	13 1/16	37	26 3/8	24 1/2	1 1/16	5/8
D	6	23 3/4	13 1/16	46	26 3/8	24 1/2	1 1/16	5/8
E	8	23 3/4	13 1/4	48	30	24 1/2	1 5/16	7/8
FA	8	23 3/4	13 1/4	50	30	24 1/2	1 5/16	7/8
FC	8	23 3/4	13 1/4	50	30	24 1/2	1 5/16	7/8

Refer to Dimensions 6131 for burner dimensions.

NOTES:

1. Mount woven gasket on furnace frontplate concentric with burner opening.
2. Burner has bottom gas inlet only.
3. Mounting bolts for "C" and "CS" frame burners will be 2" long, except at the 6 o'clock position, which will be 1 3/4" long.

DIMENSIONS SHOWN ARE SUBJECT TO CHANGE. PLEASE OBTAIN CERTIFIED PRINTS FROM FIVES NORTH AMERICAN COMBUSTION, INC. IF SPACE LIMITATIONS OR OTHER CONSIDERATIONS MAKE EXACT DIMENSION(S) CRITICAL.

WARNING: Situations dangerous to personnel and property may exist with the operation and maintenance of any combustion equipment. The presence of fuels, oxidants, hot and cold combustion products, hot surfaces, electrical power in control and ignition circuits, etc., are inherent with any combustion application. Components in combustion systems may exceed 160°F (71°C) surface temperatures and present hot surface contact hazard. Fives North American Combustion, Inc. suggests the use of combustion systems that are in compliance with all Safety Codes, Standards, Regulations and Directives; and care in operation.

CONTACT

fna.sales@fivesgroup.com
T +1 800 626 3477 - F +1 216 373 4237

Fives North American Combustion, Inc.
4455 East 71st Street - Cleveland, OH 44105 - USA
www.fivesgroup.com



fives
Industry can do it

Copyright © 2020 - Fives - All rights reserved. Sheet 6131-11 02/02