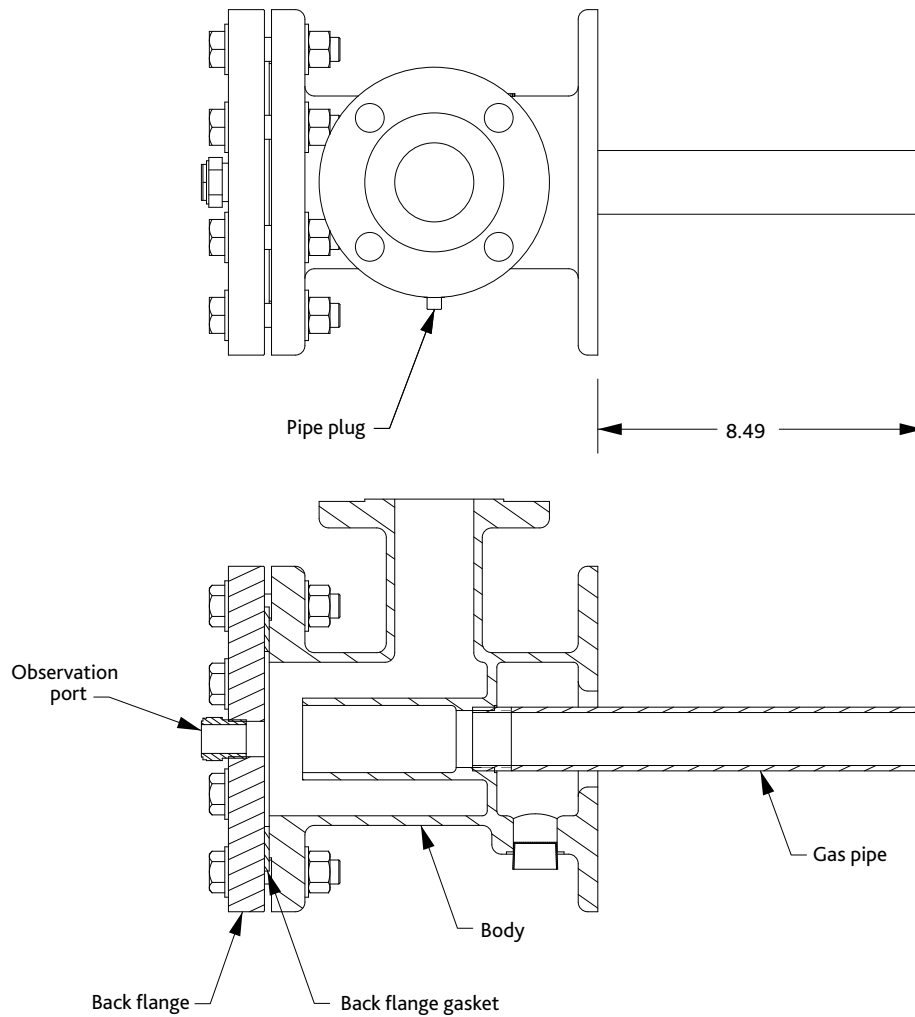


TWINBED II FUEL TUBE PARTS

DIMENSIONS SHOWN ARE SUBJECT TO CHANGE. PLEASE OBTAIN CERTIFIED PRINTS FROM FIVES NORTH AMERICAN COMBUSTION, INC. IF SPACE LIMITATIONS OR OTHER CONSIDERATIONS MAKE EXACT DIMENSION(S) CRITICAL.



	Fuel Tube Parts			
	4343-7A	4343-7B	4343-8A	4343-8B
Fuel Tube Assembly, including:				
Body	4-42644-1	4-42644-1	4-42644-1	4-42644-1
Gas Pipe	4-42643-1	4-42643-1	4-42643-1	4-42643-1
Back Flange	4-31912-1	4-31912-1	4-31912-1	4-31912-1
Back Flange Gasket	4-31921-1	4-31921-1	4-31921-1	4-31921-1
Back Flange Observation Port	8790-0	8790-0	8790-0	8790-0
Pipe Plug	R865-0180	R865-0180	R865-0180	R865-0180

WARNING: Situations dangerous to personnel and property may exist with the operation and maintenance of any combustion equipment. The presence of fuels, oxidants, hot and cold combustion products, hot surfaces, electrical power in control and ignition circuits, etc., are inherent with any combustion application. Components in combustion systems may exceed 160°F (71°C) surface temperatures and present hot surface contact hazard. Fives North American Combustion, Inc. suggests the use of combustion systems that are in compliance with all Safety Codes, Standards, Regulations and Directives; and care in operation.

CONTACT

fna.sales@fivesgroup.com
T +1 800 626 3477 - F +1 216 373 4237

Fives North American Combustion, Inc.
4455 East 71st Street - Cleveland, OH 44105 - USA
www.fivesgroup.com



fives
Industry can do it