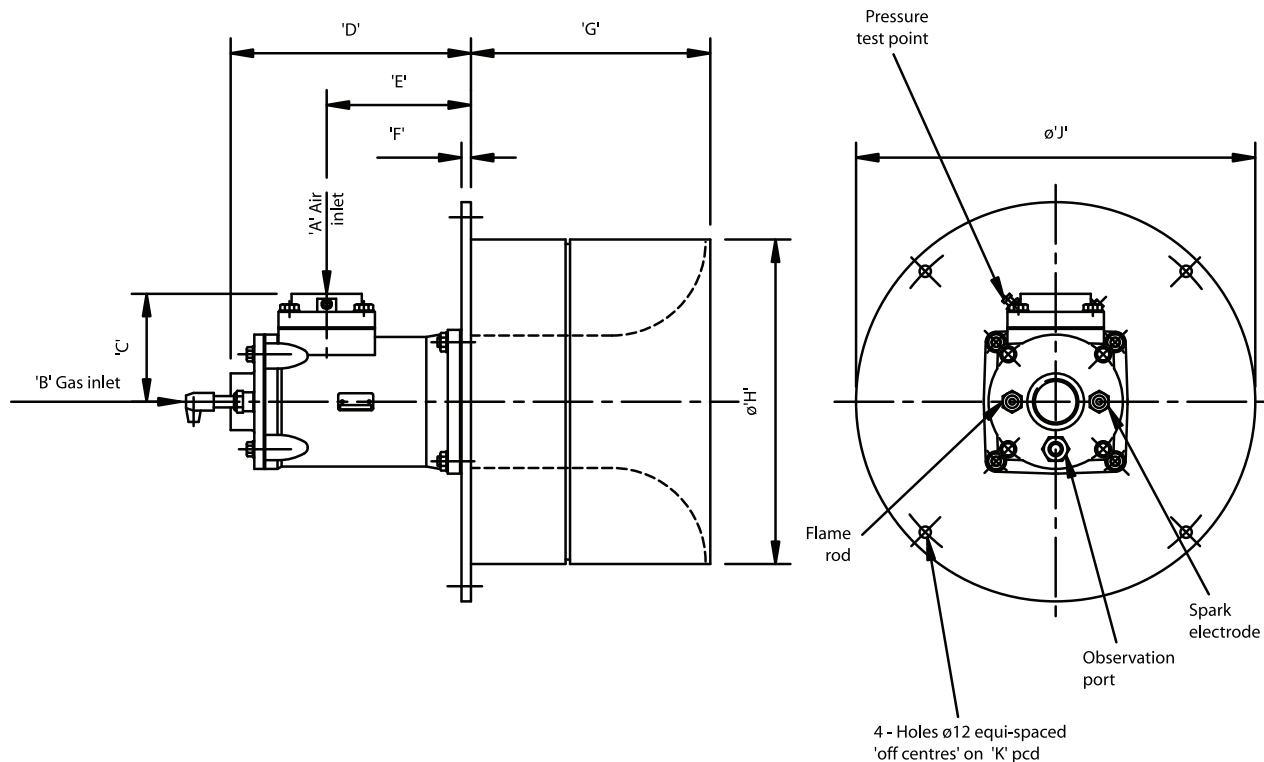


SFFG Series Flat Flame Burners Round Refractory Tile version



Model No.	Part No.	Dimensions mm										Weight (kg)
		A	B	C	D	E	F	G	H	J	K	
SFFG 1	3.25.135R	Rc1 ¹ / ₂	Rc ³ / ₄	102	249	152	10	255	ø229	ø307	275	38
SFFG 2	3.25.136R	Rc2	Rc1	89	249	152	10	255	ø229	ø307	275	38
SFFG 3	3.25.137R	Rc2 ¹ / ₂	Rc1	116	255	152	10	255	ø343	ø422	390	74
SFFG 4	3.25.138R	Rc2 ¹ / ₂	Rc1 ¹ / ₄	116	255	152	10	255	ø343	ø422	390	74
SFFG 5	3.25.139R	Rc4	Rc1 ¹ / ₄	155	345	216	10	255	ø343	ø422	390	80
SFFG 6	3.25.140R	Rc4	Rc1 ¹ / ₂	155	345	216	10	255	ø343	ø422	390	80

WARNING: The data outlined is for information only and does not form part of any contract. Our policy is one of continuous improvement and we therefore reserve the right to modify specifications or dimensions without prior warning. Situations dangerous to personnel and property can develop from incorrect installation and operation of combustion equipment. Fives North American Combustion UK, Ltd urges compliance with International, National and Local Safety Standards and that installation is carried out by properly qualified personnel.

Fives North American Combustion UK, Ltd.

Heath Mill Road, Wolverhampton WV5 8BD England Tel +44 (0) 1902 891200 Fax +44 (0) 1902 895552

8/2009 SFFG