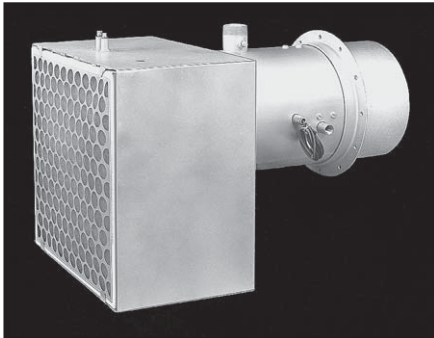
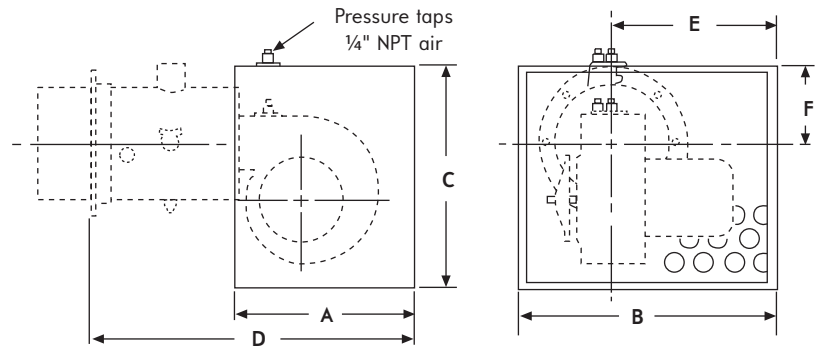


Dimensions | 4988 Zephyr™

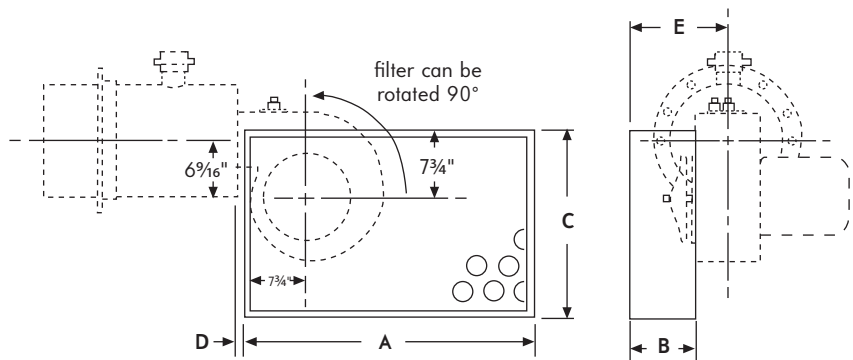
OPTIONAL EQUIPMENT with DIMENSIONS, inches



Filter Assemblies, optional for 4988 Burners, use inexpensive throwaway panel filters to clean air entering Zephyr blowers. On 4988-1000, -2500, -4000, and -6000-L Burners, filter housing completely encloses blower and motor; pressure taps and a conduit knockout on the housing permit connections to blower and motor. Filters for -6000-H and -9000-L Burners attach to blower inlet. Filters are shipped loose for field installation.



Filter for 4988-1000, -2500, -4000, and -6000-L

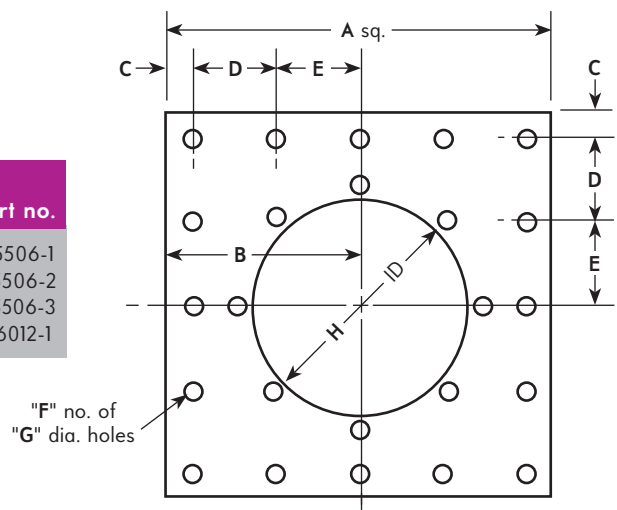


Filter for 4988-6000-H and -9000-L

filter assembly for 4988	dimensions in inches						no. of filter panels	filter size	filter elements only (panels)
	A	B	C	D	E	F			
4-5676-1 filter assembly for -1000-L & -H	13 $\frac{3}{8}$	20 $\frac{1}{4}$	20 $\frac{1}{4}$	23 $\frac{3}{4}$	13	6	1	20" x 20" x 2"	R260-3241
4-5683-1 filter assembly for -2500-L & -H	17 $\frac{3}{8}$	22 $\frac{1}{4}$	20 $\frac{1}{4}$	32 $\frac{3}{4}$	15	7	1	20" x 20" x 2"	R260-3241
4-5687-1 filter assembly for -4000-L & -H and -6000-L	20 $\frac{1}{2}$	25 $\frac{1}{2}$	24 $\frac{3}{8}$	38 $\frac{3}{8}$	16	9	2	20" x 25" x 2"	R260-3242
4-5968-1 filter assembly for -6000-H and -9000-L	40 $\frac{7}{8}$	10 $\frac{1}{8}$	25 $\frac{1}{2}$	21 $\frac{1}{16}$	14 $\frac{5}{8}$	-	3	20" x 25" x 2"	R260-3242

Adapter plates simplify mounting circular Zephyr flanges to square duct cutouts. All plates are $\frac{3}{16}$ " thick steel.

adapter plate for 4988-	dimensions in inches								part no.
	A	B	C	D	E	F	G	H	
1000	14	7	$\frac{1}{2}$	4 $\frac{5}{16}$	—	12	$\frac{5}{16}$	8 $\frac{7}{8}$	4-5506-1
2500	19	9 $\frac{1}{2}$	$\frac{1}{2}$	6	—	12	$\frac{5}{16}$	12 $\frac{15}{16}$	4-5506-2
4000 & 6000	23	11 $\frac{1}{2}$	$\frac{1}{2}$	7 $\frac{5}{16}$	—	12	$\frac{5}{16}$	17	4-5506-3
9000	31	15 $\frac{1}{2}$	$\frac{3}{4}$	7 $\frac{3}{8}$	7 $\frac{3}{8}$	16	$\frac{9}{16}$	23	4-6012-1



DIMENSIONS SHOWN ARE SUBJECT TO CHANGE. PLEASE OBTAIN CERTIFIED PRINTS FROM FIVES NORTH AMERICAN COMBUSTION, INC. IF SPACE LIMITATIONS OR OTHER CONSIDERATIONS MAKE EXACT DIMENSION(S) CRITICAL.