

**FIBER WALL TILE and MOUNTING ASSEMBLY
(Round)**

Figure 1

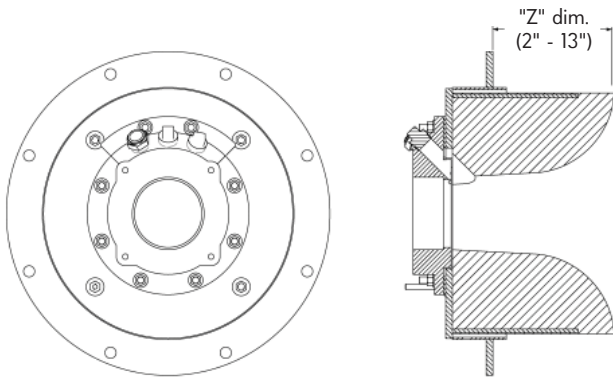
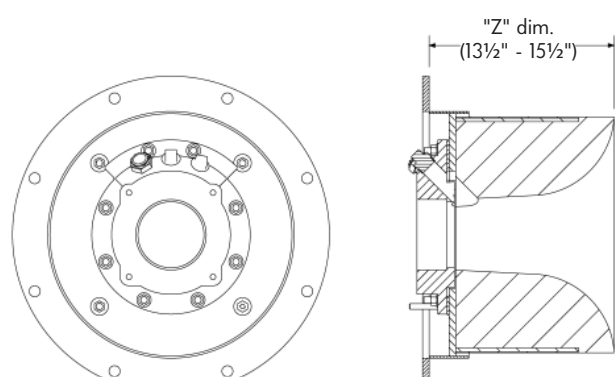


Figure 2



Burner Size	9" Deep (Fig. 1) Z = 2" to 9"	13" Deep (Fig. 1) Z = 9 1/2" to 13"	13" Deep (Fig. 2) Z = 13 1/2" to 15 1/2"
4832-2, -3, -4	4-28572-1/X.X/T	-	-
4832D-2, -3, -4	-	4-28572-2/X.X/T	4-28572-3/X.X/T
4832-5, -6, -7	4-28572-4/X.X/T	-	-
4832D-5, -6, -7	-	4-28572-5/X.X/T	4-28572-6/X.X/T

**FIBER WALL TILE and MOUNTING ASSEMBLY
(Square)**

Figure 1

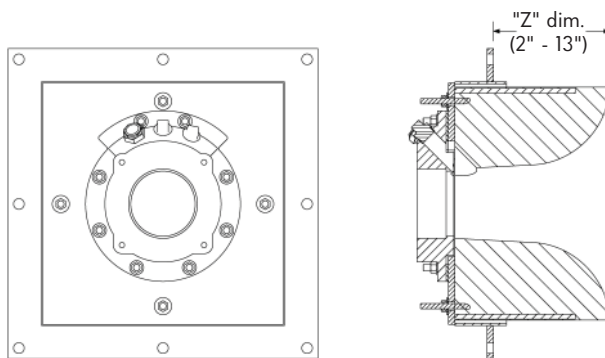
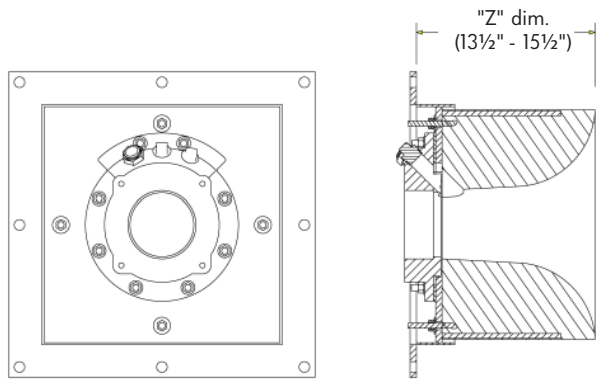


Figure 2



Burner Size	9" Deep (Fig. 1) Z = 2" to 9"	13" Deep (Fig. 1) Z = 9 1/2" to 13"	13" Deep (Fig. 2) Z = 13 1/2" to 15 1/2"
4832-2, -3, -4	4-28573-1/X.X/T	-	-
4832D-2, -3, -4	-	4-28573-2/X.X/T	4-28573-3/X.X/T
4832-5, -6, -7	4-28573-4/X.X/T	-	-
4832D-5, -6, -7	-	4-28573-5/X.X/T	4-28573-6/X.X/T

NOTE: Tile and mounting assembly part numbers have been revised to include the required "Z" dimension and tile material. When selecting tile and mounting assembly, include the "X.X" suffix to represent the required "Z" dimension in 0.5" increments, 2.0" min to 15.5" max, and the "T" suffix to represent the tile material (30 for 3000°F and 32 for 3200°F).

CONTACT

fna.sales@fivesgroup.com
T +1 800 626 3477 - F +1 216 373 4237

Fives North American Combustion, Inc.
4455 East 71st Street - Cleveland, OH 44105 - USA
www.fivesgroup.com



fives
Industry can do it