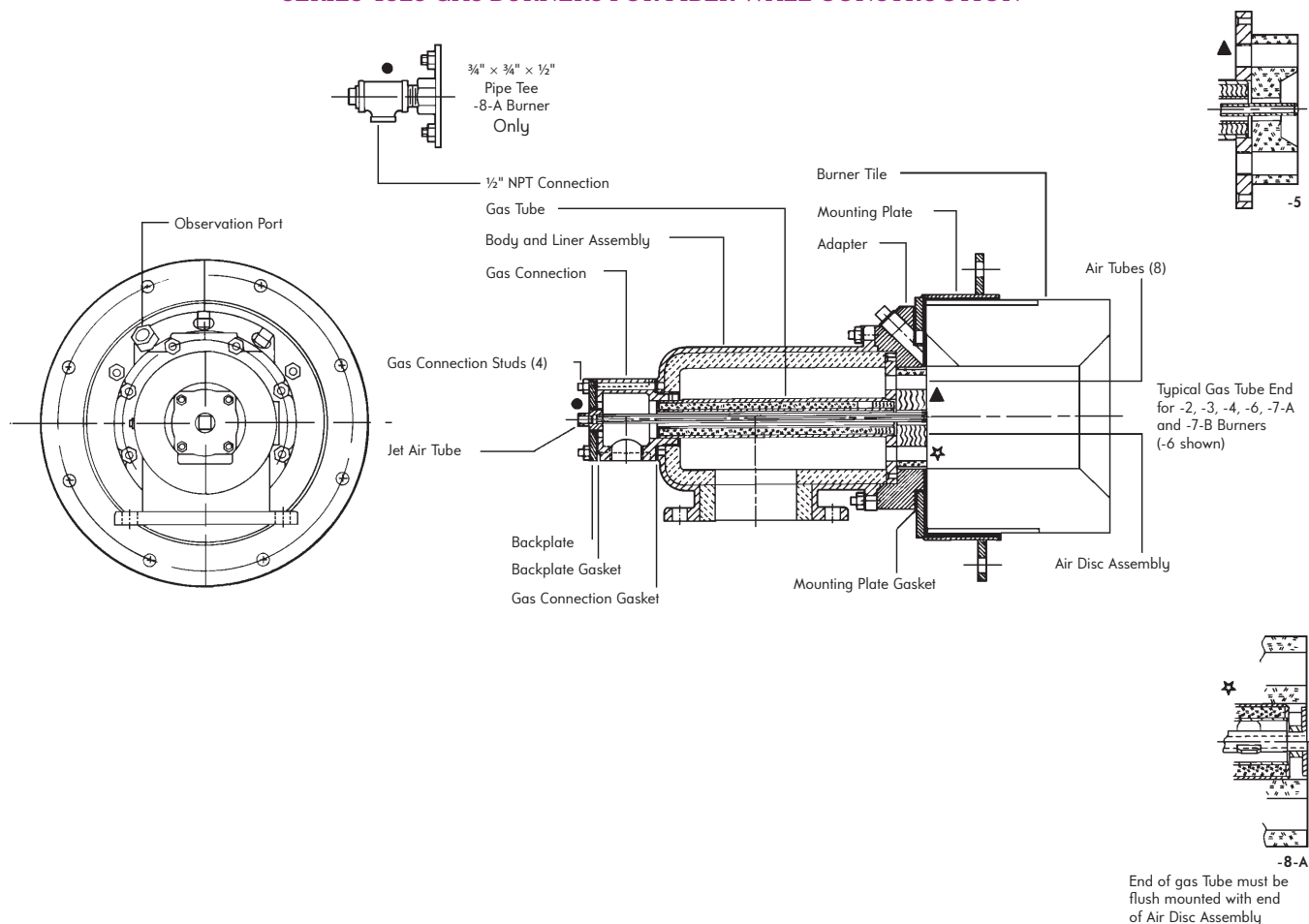


SERIES 4825 GAS BURNERS FOR FIBER WALL CONSTRUCTION



Part Name	Burner designation							
	4825-2-Z	4825-3-Z	4825-4-Z	4825-5-Z	4825-6-Z	4825-7-AZ	4825-7-BZ	4825-8-AZ
Adapter	3-6401-1	3-6401-1	3-6401-1	3-6401-2	3-6401-2	3-6467-1	3-6467-1	3-6467-1
Air Disc Assembly	3-6283-1	3-6283-2	3-6283-3	3-6283-4	3-6283-5	3-6283-6	3-6283-7	3-6283-8
Air Tubes (8 req'd.)	3-3643-1	3-3643-2	3-3640-2	3-3639-2	3-3554-2	3-3273-3	3-3273-4	4-3684-2
Backplate	4-2459-2	4-2459-2	4-2459-2	4-2459-2	4-2459-2	3-3269-3	3-3269-3	4-7983-1
Backplate Gasket	3-2607-1	3-2607-1	3-2607-1	3-2607-1	3-2607-1	3-3272-1	3-3272-1	3-3272-1
Body and Liner Assembly	3-6511-3	3-6511-3	3-6511-3	3-6511-3	3-6511-3	3-6480-1	3-6480-1	3-6480-1
Burner Tile 3-6521-1		3-6520-1	3-6520-1	3-6520-1	3-6520-3	3-6520-3	3-6521-1	3-6521-1
Gas Connection	3-2465-4	3-2465-4	3-2465-5	3-2465-6	3-2465-6	3-6510-1	3-6510-1	3-6510-1
Gas Connection Gasket	3-2473-1	3-2473-1	3-2473-1	3-2473-1	3-2473-1	3-3272-1	3-3272-1	3-3272-1
Gas Tube	4-8100-5	4-8100-5	4-8100-6	4-8100-7	4-8100-8	4-7960-1	4-7960-1	4-7980-1
Jet Air Tube 4-7986-2		4-7870-3	4-7871-2	4-7870-4	4-7897-2	4-7992-2	4-7963-2	4-8034-2
Mounting Plate	3-6523-1	3-6523-1	3-6523-1	3-6523-1	3-6523-1	3-6525-1	3-6525-1	3-6525-1
Mounting Plate Gasket	3-6516-1	3-6516-1	3-6516-1	3-6516-1	3-6516-1	3-6483-1	3-6483-1	3-6483-1
Observation Port	8790-0	8790-0	8790-0	8790-0	8790-0	8790-0	8790-0	8790-0
Studs, Gas Conn. (4 req'd.)	3-2584-1	3-2584-1	3-2584-1	3-2584-1	3-2584-1	3-3325-1	3-3325-1	3-3325-1

WARNING: Situations dangerous to personnel and property may exist with the operation and maintenance of any combustion equipment. The presence of fuels, oxidants, hot and cold combustion products, hot surfaces, electrical power in control and ignition circuits, etc., are inherent with any combustion application. Components in combustion systems may exceed 160°F (71°C) surface temperatures and present hot surface contact hazard. Fives North American Combustion, Inc. suggests the use of combustion systems that are in compliance with all Safety Codes, Standards, Regulations and Directives; and care in operation.

CONTACT

fna.sales@fivesgroup.com
T +1 800 626 3477 - F +1 216 373 4237

Fives North American Combustion, Inc.
4455 East 71st Street - Cleveland, OH 44105 - USA
www.fivesgroup.com



fives
Industry can do it