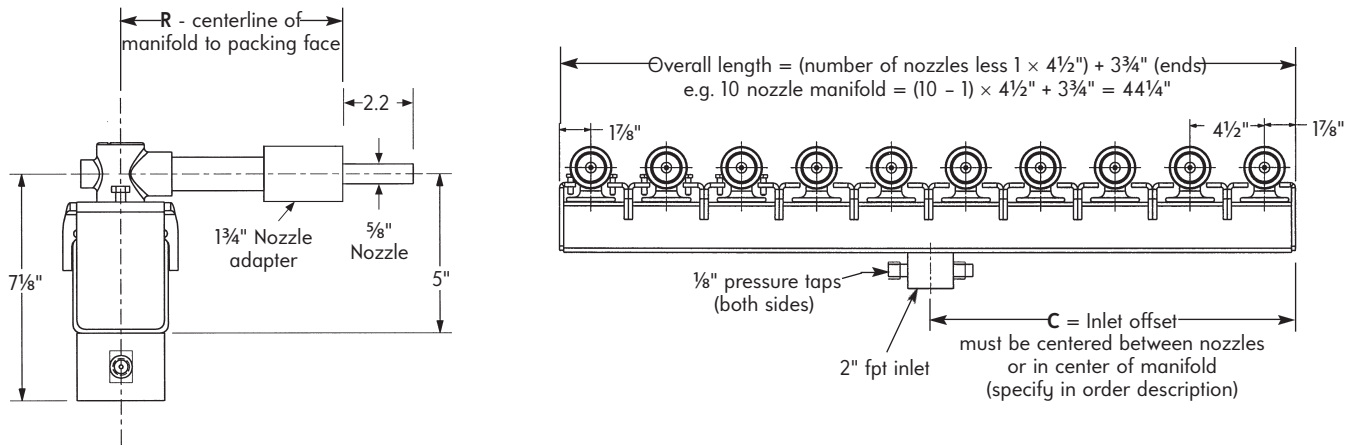


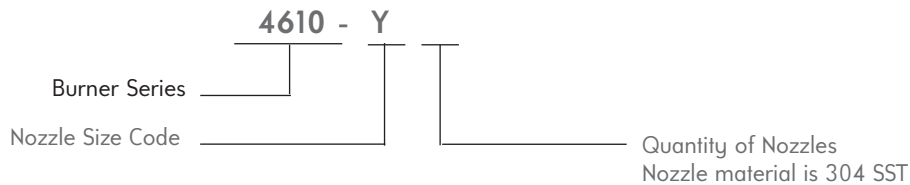
# Dimensions and Ordering Information | 4610 Burners

## DIMENSIONS



DIMENSIONS SHOWN ARE SUBJECT TO CHANGE. PLEASE OBTAIN CERTIFIED PRINTS FROM FIVES NORTH AMERICAN COMBUSTION, INC. IF SPACE LIMITATIONS OR OTHER CONSIDERATIONS MAKE EXACT DIMENSION(S) CRITICAL.

## ORDERING INFORMATION



### To be specified:

- R = manifold centerline to packing face in a standard range of 4" to 12" in 1/2" increments.
- C = inlet offset, minimum of 4 1/8", increments of 4 1/2".

**Example:** 4610-0810 Forehearth burner manifold with ten #08 nozzles-- with R = (manifold centerline to nozzle packing face) and C = (manifold inlet offset).

**Options:** Burner block adjustable sealing collar - see part #4610SC on Sheet 4610-1.  
Manifold mounting system is available - see part #4610MB on Sheet 4610-1.

### Additional Information:

Use North American's unique, high efficiency system design that incorporates

- efficient low pressure drop design for low horsepower, small fans
- linear control
  - using linear operating valves - see Bulletin 1008/1004
  - or fan VFD - see Bulletin 2775
- high flow rate mixers - see Bulletin 3065
- bowl (circular) manifold assembly is available - see Bulletin 4611
- see Sheet 4610-1 for complete parts list
- how 4610 burner assembly is shipped
  - (X) quantity of nozzle assemblies consisting of (1) each: nozzle, adapter, pipe extension, cast elbow, and clean-out plug assembled as a unit.
  - (1) manifold for (X) quantity of nozzle assemblies with pipe plugs in pressure taps
  - (X) quantity each of manifold and nozzle gaskets

Complete solution-

That's what we provide.....contact your North American specialist to help you find your system solution.

**WARNING:** Situations dangerous to personnel and property may exist with the operation and maintenance of any combustion equipment. The presence of fuels, oxidants, hot and cold combustion products, hot surfaces, electrical power in control and ignition circuits, etc., are inherent with any combustion application. Components in combustion systems may exceed 160°F (71°C) surface temperatures and present hot surface contact hazard. Fives North American Combustion, Inc. suggests the use of combustion systems that are in compliance with all Safety Codes, Standards, Regulations and Directives; and care in operation.

## CONTACT

fna.sales@fivesgroup.com  
T +1 800 626 3477 - F +1 216 373 4237

**Fives North American Combustion, Inc.**  
4455 East 71st Street - Cleveland, OH 44105 - USA  
www.fivesgroup.com

