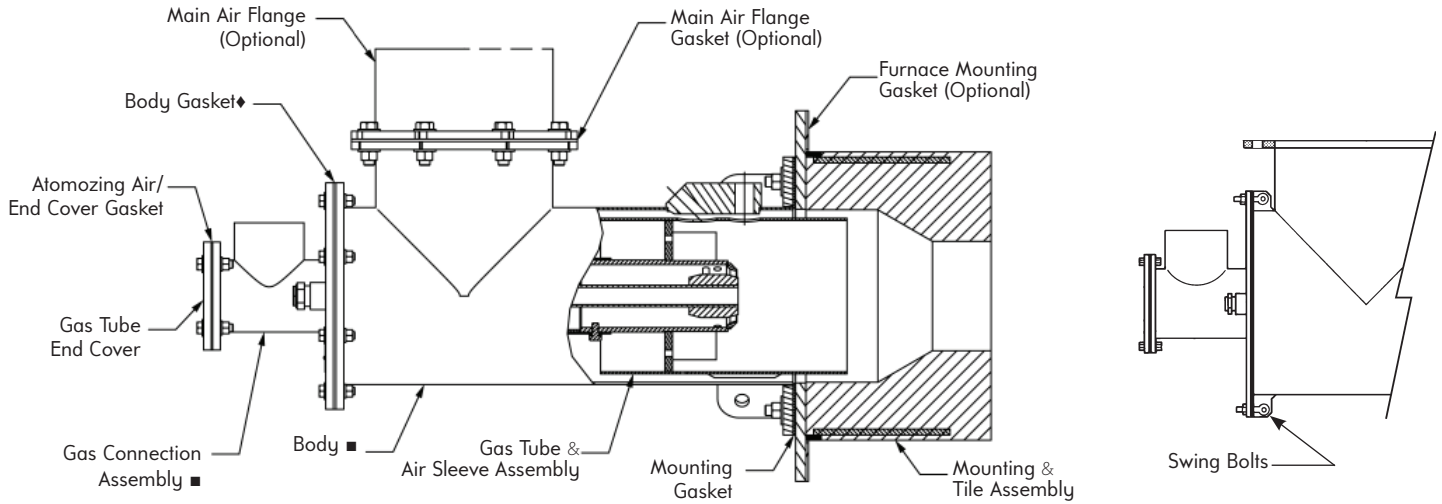


Spare Parts List | HiRAM®



Part Name	Burner Size						
	-8-A	-8-B	-9*	-10-A	-10-B	-12	-14
Mounting & Tile Assembly	3-6916-1	3-6816-1	3-6453-1	3-6836-1	3-6784-1	3-6431-1	4-12287-1
Body Assembly	4-54712-1	4-54801-1	4-54886-1	4-54673-1	4-54673-1	4-54622-1	4-54895-1
Gas Tube & Air Sleeve Assembly†	4-7953-1	4-7901-1	3-12127-1	3-6835-1	3-6846-1	4-23824-1	4-23827-1
Gas Connection Assembly	4-54713-1	4-54713-1	4-54888-1	4-54623-3	4-59623-3	4-54623-3	4-54898-1
Gas Tube End Cover	4-7618-1	4-7618-1	4-7618-1	4-7643-2	4-7643-2	4-7643-2	4-10349-1
Mounting Gasket	3-6462-1	3-6462-1	3-6462-1	3-6443-1	3-6443-1	3-6443-1	4-10368-1
Body Gasket♦	4-54657-1	4-54657-1	4-54657-1	4-54656-1	4-54656-1	4-54656-1	4-55039-1
Atomizing Air/End Cover Gasket	3-6464-1	3-6464-1	3-6464-1	3-6441-2	3-6441-2	3-6441-2	4-10348-1
High Velocity (HV)							
Refractory HV (Original Tile)	3-6916-1	3-6816-1	3-6453-1	3-6836-1	3-6784-1	3-6431-1	4-12287-1
Refractory HV 304 Jacket (-J304)	4-57171-2	3-15623-2	4-55738-2	4-55142-2	4-55592-2	3-20139-2	4-57172-2
Refractory HV 309 Jacket (-J309)	4-57171-3	3-15623-3	4-55738-3	4-55142-3	4-55592-3	3-20139-3	4-57172-3
Metal 310 HV tile (-M310)	4-57806-8A-1	4-57806-8B-1	4-57806-9-1	4-57807-10A-1	4-57807-10B-1	4-57807-12-1	4-57808-1
Metal 330 HV tile (-M330)	4-57806-8A-2	4-57806-8B-2	4-57806-9-2	4-57807-10A-2	4-57807-10B-2	4-57807-12-2	4-57808-2
Medium Velocity (MV)							
Refractory MV (-M)	4-54927-1	4-54927-1	4-54927-1	3-22177-1	3-22177-1	3-22177-1	4-57824-1
Refractory MV 304 Jacket (-J304M)	4-57843-2	4-57843-2	4-57843-2	4-57844-2	4-57844-2	4-57844-2	4-57845-2
Refractory MV 309 Jacket (-J309M)	4-57843-3	4-57843-3	4-57843-3	4-57844-3	4-57844-3	4-57844-3	4-57845-3
Metal 310 MV tile (-M310M)	4-57809-1-1	4-57809-1-1	4-57809-1-1	4-57809-2-1	4-57809-2-1	4-57809-2-1	4-57809-3-1
Metal 330 MV tile (-M330M)	4-57809-1-2	4-57809-1-2	4-57809-1-2	4-57809-2-2	4-57809-2-2	4-57809-2-2	4-57809-3-2
Options							
Blower Sleeve	2947-8	2947-8	2947-9	2947-10	2947-10	2947-12	2947-14
Clamp (qty)	R120-2425(2)	R120-2600(2)	R120-2600(2)	R120-2600(2)	R120-2600(2)	R120-2425(4)	R120-2425(2) R120-2600(2)
Flame Rod	—NA—	—NA—	4-25432-4	4-25432-4	4-25432-4	4-25432-11	4-25432-11
Main Air Flange	3-8569-1	3-8569-1	3-8569-2	3-8569-5	3-8569-5	3-8569-4	3-8569-6
Main Air Flange Gasket	OA3-2302-24F4	OA3-2302-24F4	OA3-2302-25F4	OA3-2302-26F4	OA3-2302-26F4	OA3-2302-27F4	OA3-2302-28F4
Furnace Mtg. Gasket▲	4-28284-1	4-28284-1	4-28284-1	4-28285-1	4-28285-1	4-28285-1	4-28286-1
	4-28284-2	4-28284-2	4-28284-2	4-28285-2	4-28285-2	4-28285-2	4-28286-2

† Gas Tube, Air Sleeve, Air Tube Disc, Gas Stabilizer, and Air Tubes are an Integral Assembly and must be purchased as a unit called "Gas Tube and Air Sleeve Assembly".

* -9 Burners sold prior to S.O.#GK 3600 (September 1997) should have spare part numbers verified by Engineering before ordering.

♦ Gasket Note: This part number for burners equipped with a through bolt connection. For burners equipped with swing bolt connection use SB Body Gasket, see page 12.

▲ If needed use... -1 gasket for furnace shell temperatures up to 825°F. Use -2 for furnace shell temperatures up to 975°F.

■ If body is equipped with swing bolt connection, use "SB" parts or consult engineering, see page 12.