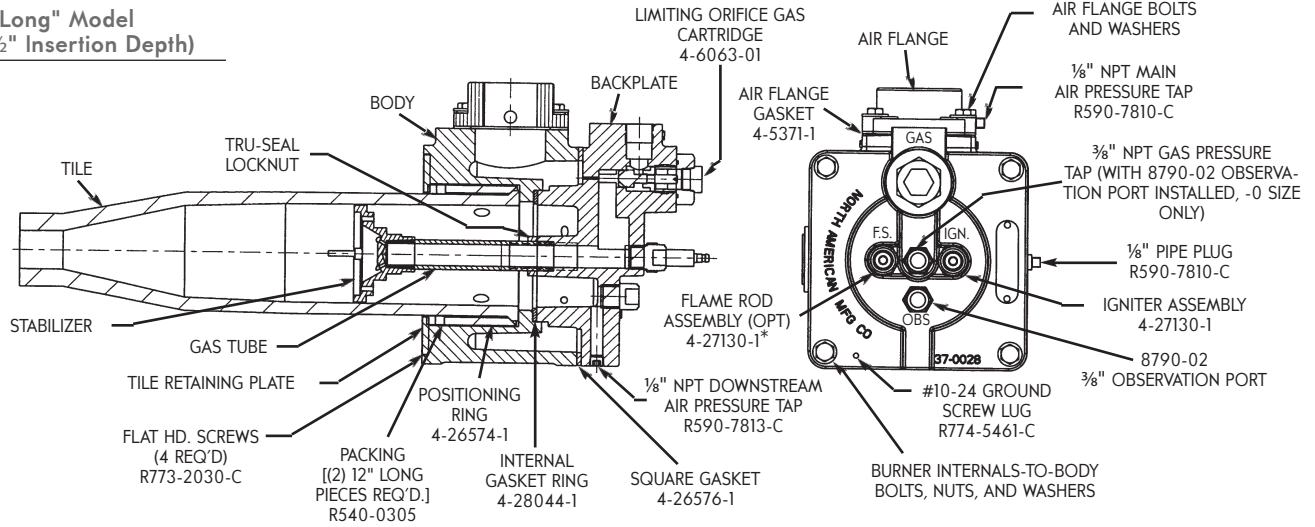
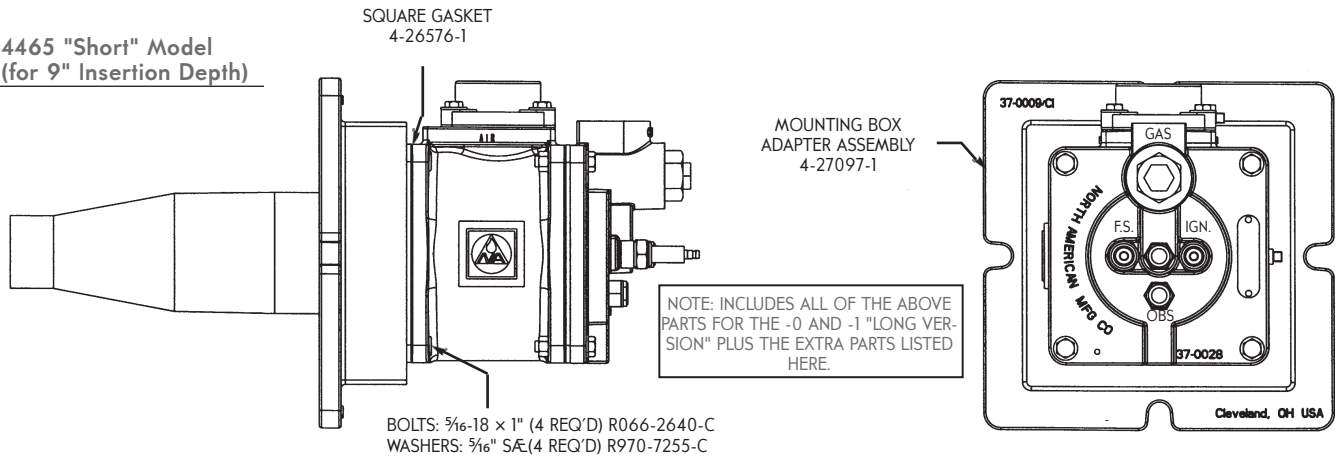


4465 SERIES SPARE PARTS

4465 "Long" Model
(for 11½" Insertion Depth)



4465 "Short" Model
(for 9" Insertion Depth)



Part Name	Burner designation	
	4465-0	4465-1
Body and Tile Assembly		
"M" Model	4-27093-1	4-27093-1
"H" Model	4-27093-2	4-27093-2
"M" Tile only	4-28768-1	4-28768-1
"H" Tile only	4-28766-1	4-28766-1
Body only	4-26572-1	4-26572-1
Tile Retaining Plate	4-26575-1	4-26575-1
Burner Internals Assembly		
With Flame Rod	4-27092-1	4-27092-2
Without Flame Rod	4-27872-1	4-27872-2
Backplate	4-26571-1	4-28357-1
Gas Tube Assembly	4-27129-1	4-27129-2
Gas Tube	4-27090-1	4-27090-1
Tru-Seal Fitting	R790-0120	R790-0120
Stabilizer	4-27843-1	4-28358-1
Flame Rod Assembly (opt.)*	4-27130-1	4-27130-1

Part Name	Burner designation	
	4465-0	4465-1
Burner Internals (continued)		
¼" Slotted Pipe Plug (opt.)*	R590-7825-C	R590-7825-C
¼" Tru-Seal Fitting (opt.)*	R790-0110	R790-0110
Main Air Flange	4-27873-3	4-27873-2
Main Air Flange Bolts ¼-20 x 1" (4 req'd.)	R066-2350-C	R066-2350-C
Main Air Flange Bolt Washers ¼" SAE (4 req'd.)	R970-7225-C	R970-7225-C
Burner Internals-to-Body		
Bolts: 5/16-18 x 1½" (4 req'd.)	R066-2670-C	R066-2670-C
Nuts: 5/16-18 NC (4 req'd.)	R510-2219-C	R510-2219-C
Washers: 5/16" SAE (8 req'd.)	R970-7255-C	R970-7255-C

* ¼" Slotted Pipe Plug (R590-7820-C) and ¼" Tru-Seal Fitting (R790-0110) furnished if Flame Rod ("R" version) not ordered.

NOTE: If UV flame supervision is desired, a special UV adapter is required (PN 4-27091-1) and must be ordered separately.

WARNING: Situations dangerous to personnel and property may exist with the operation and maintenance of any combustion equipment. The presence of fuels, oxidants, hot and cold combustion products, hot surfaces, electrical power in control and ignition circuits, etc., are inherent with any combustion application. Components in combustion systems may exceed 160°F (71°C) surface temperatures and present hot surface contact hazard. Fives North American Combustion, Inc. suggests the use of combustion systems that are in compliance with all Safety Codes, Standards, Regulations and Directives; and care in operation.

CONTACT

fna.sales@fivesgroup.com
T +1 800 626 3477 - F +1 216 373 4237

Fives North American Combustion, Inc.
4455 East 71st Street - Cleveland, OH 44105 - USA
www.fivesgroup.com



fives
Industry can do it