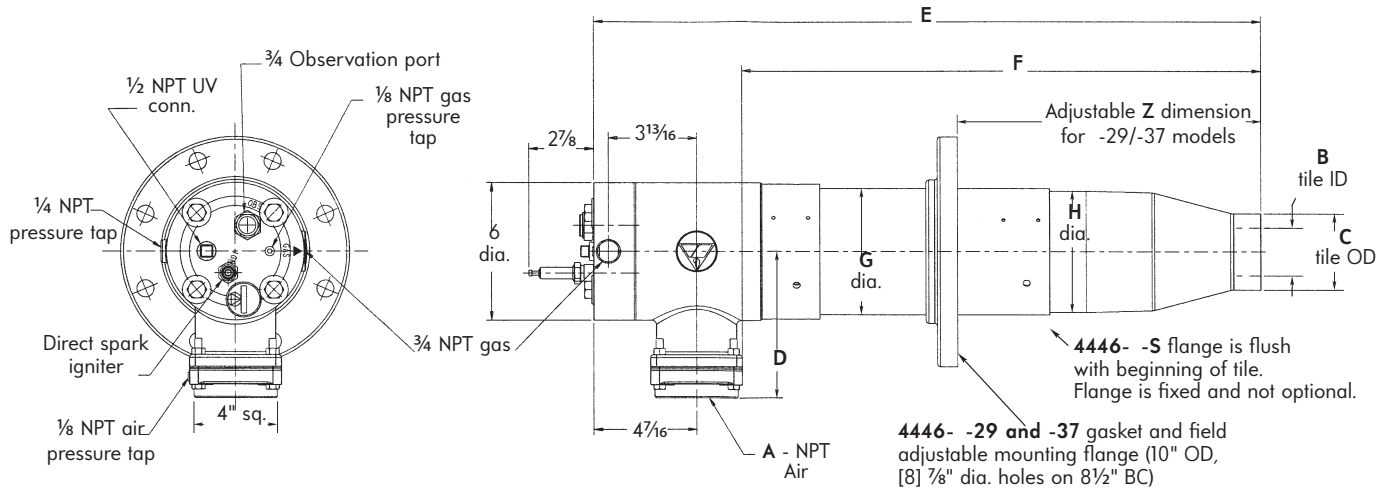


Dimensions | 4446 Tempest®

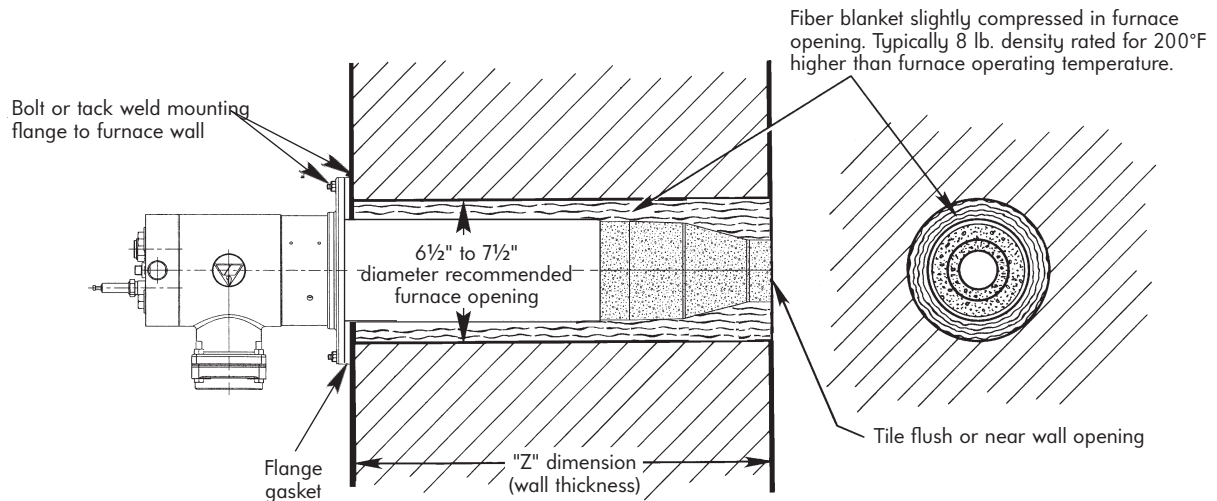
DIMENSIONS inches

Bulletin 4446
Page 3



Burner designation	A				E			F			G		Z max.			Z min.			approx. wt, lb			
	A	B	C	D	-S	-29	-37	-S	-29	-37	-S	-29, -37	H	-S	-29	-37	-S	-29	-37	-S	-29	-37
4446-5	2 1/2	2 3/32	3 5/16	6 3/8	18 15/16	31 1/2	39 1/2	12 1/2	25	33	5 7/8	5 1/2	5 9/32	9	20	28	9	10 1/2		30	45	50
4446-6	3	2 5/16	3 5/16	6 1 1/16	18 15/16	31 1/2	39 1/2	12 1/2	25	33	5 7/8	5 1/2	5 9/32	9	20	28	9	10 1/2		30	45	50

Flange Mounted Installation Recommendations, side or roof fired



Note: If burner tile is used through an existing mounting tile, allow for 1/8" minimum clearance all around burner nozzle. Avoid bumping or hitting tile during installation.

To order, specify: 4446_-S, -29 or -37.
Example: 4446-5-29 Burner complete.

WARNING: Situations dangerous to personnel and property may exist with the operation and maintenance of any combustion equipment. The presence of fuels, oxidants, hot and cold combustion products, hot surfaces, electrical power in control and ignition circuits, etc., are inherent with any combustion application. Components in combustion systems may exceed 160°F (71°C) surface temperatures and present hot surface contact hazard. Fives North American Combustion, Inc. suggests the use of combustion systems that are in compliance with all Safety Codes, Standards, Regulations and Directives; and care in operation.

CONTACT

fna.sales@fivesgroup.com
T +1 800 626 3477 - F +1 216 373 4237

Fives North American Combustion, Inc.
4455 East 71st Street - Cleveland, OH 44105 - USA
www.fivesgroup.com



fives
Industry can do it