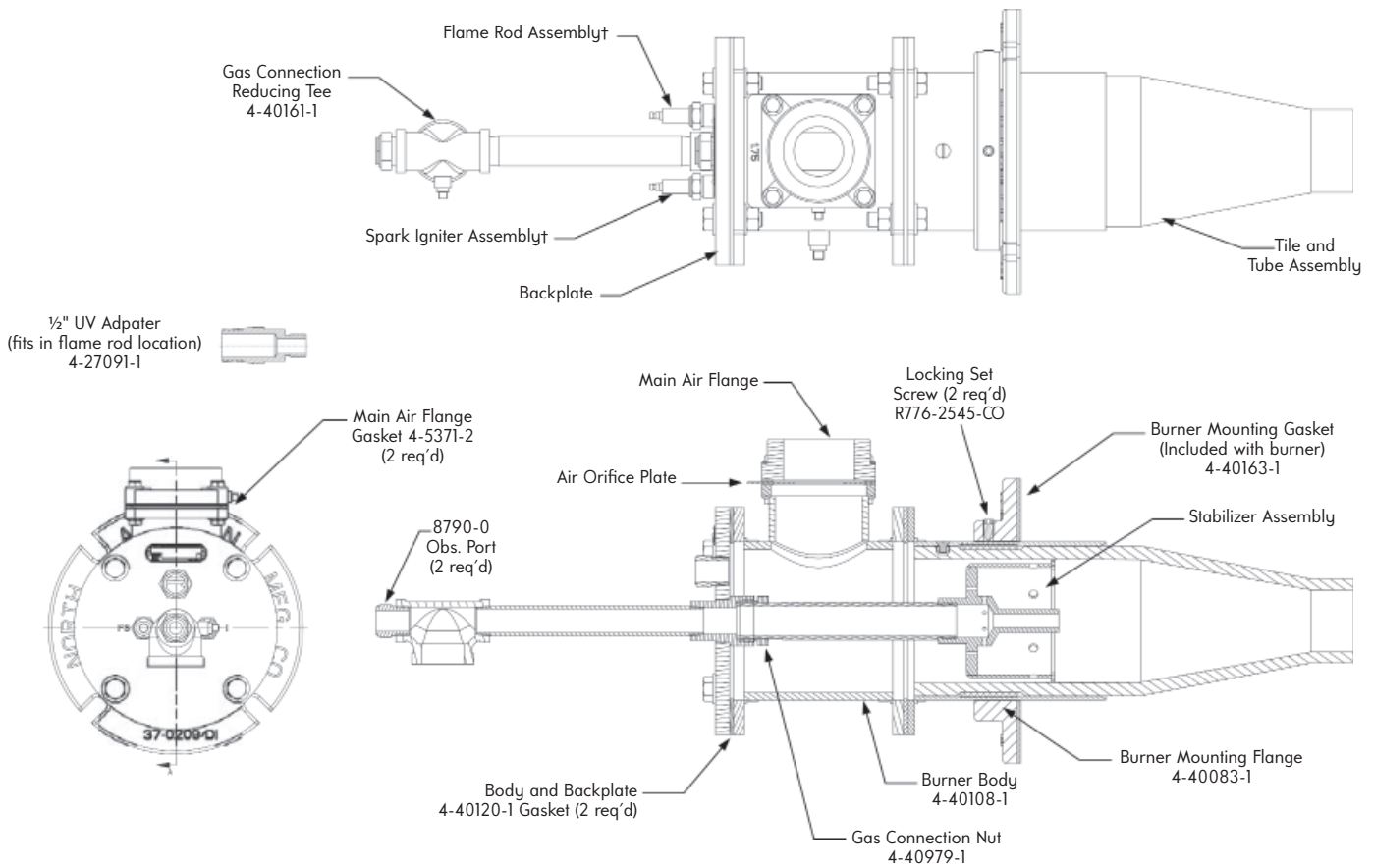


Parts List | 4445N-5 & -6 Tempest®



† When replacing igniter and/or flame rod assemblies in the field, it is recommended that the burner body be removed from the tile mounting tube flange to ensure insertion into the access holes provided and not into one of the air tubes on either side.

Part name	Burner designation		Tile & Mounting Tube Assembly	
	4445N-5	4445N-6	-5	-6
Air Orifice Plate	4-40136-1	4-40136-2	"S" Model	
Backplate (all models)	4-40111-1	40111-1	Round Alumina/Mullite	4-40137-5 4-40543-5
Main Air Flange	4-1695-3	4-1695-9	Slotted Alumina/Mullite	4-40544-5 4-40545-1
Stabilizer Assembly (all models)	4-40121-1	4-40121-2	"M" Model	
Spark Igniter Assembly			Round Alumina/Mullite	4-40137-6 4-40543-6
"S" Model	_____ 4-40118-1 _____		Slotted Alumina/Mullite	4-40544-6 4-40545-2
"M" Model	_____ 4-40118-2 _____		"L" Model	
"L" Model	_____ 4-40118-3 _____		Round Alumina/Mullite	4-40137-7 4-40543-7
"E" Model	_____ 4-40118-4 _____		Slotted Alumina/Mullite	4-40544-7 4-40545-3
Flame Rod Assembly			"E" Model	
"S" Model	_____ 4-40118-11 _____		Round Alumina/Mullite	4-40137-8 4-40543-8
"M" Model	_____ 4-40118-12 _____		Slotted Alumina/Mullite	4-40544-8 4-40545-4
"L" Model	_____ 4-40118-13 _____			
"E" Model	_____ 4-40118-14 _____			
Ceramic Tile (less mounting tube)				
Round Tile Exit (ARH)	4-44008-1	4-44010-1		
Slotted Tile Exit (ASH)	4-44009-1	4-40040-1		

NOTE: Because the 4445-5 and -6 burner have always had a 90° air inlets, they have been renamed 4445N-5 and 4445N-6 to use the same naming system as the smaller 4445N burners.