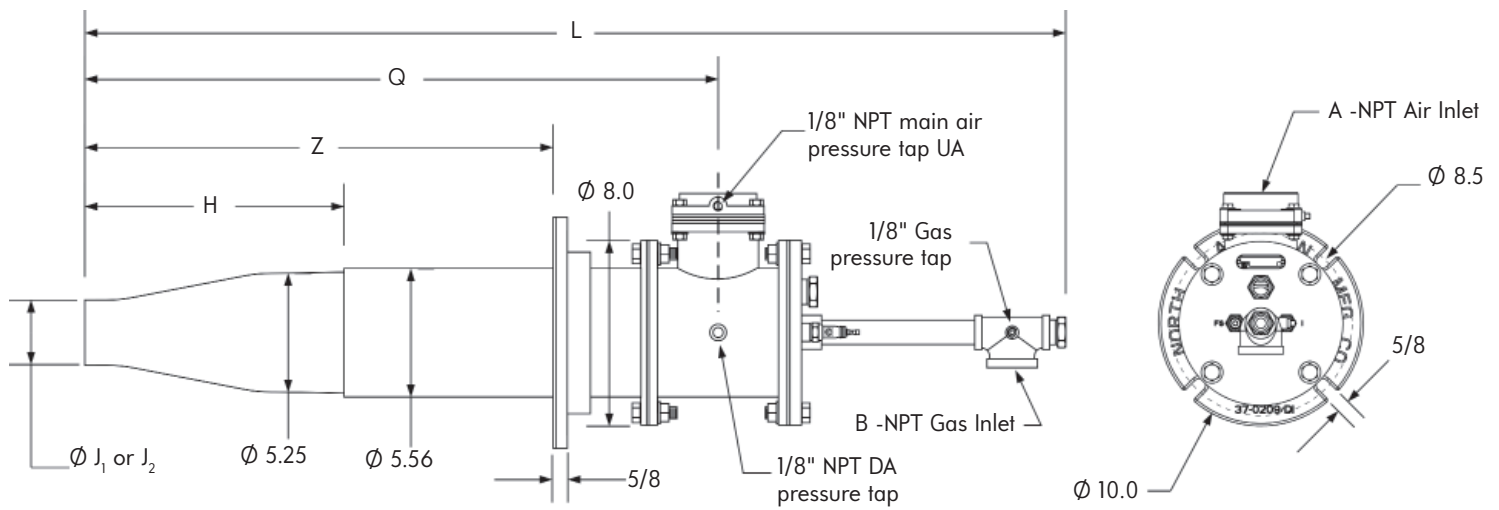
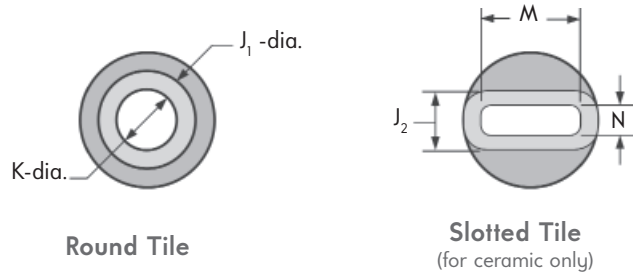


Dimensions | 4445N-5 & -6 Tempest®



4445N-5 and -6



Burner designation	A	B	J ₁	J ₂	K	M	N	"L" dim. = overall length				
								-S	-M	-L	-E	-X
4445N-5	2½	1¼	2.84	2.16	2.16	3.91	1.06	32.94	39.94	50.94	59.94	consult
4445N-6	3	1¼	3.25	2.16	2.63	4.25	1.40	32.94	39.94	50.94	59.94	Fives

Burner designation	"H" dim. = tile ext. length				"Q" dim. = tile to air flange					"Z" dim. = insertion depth				
	-S	-M	-L	-E	-S	-M	-L	-E	-X	-S	-M	-L	-E	-X
4445N-5	8.75			11.25	18.88	25.88	35.88	45.88	②	9-12	12-20	12-30	12-40	consult
4445N-6	8.75			11.25	18.88	25.88	35.88	45.88	②	9-12	12-20	12-30	12-40	Fives

① These tiles are not contoured at the discharge end.

② SPL = max. "Z" dimension required plus approximately 6" -- for estimating purposes only.

NOTE: Because the 4445-5 and -6 burner have always had a 90° air inlets, they have been renamed 4445N-5 and 4445N-6 to use the same naming system as the smaller 4445N burners.

DIMENSIONS SHOWN ARE SUBJECT TO CHANGE. PLEASE OBTAIN CERTIFIED PRINTS FROM FIVES NORTH AMERICAN COMBUSTION, INC. IF SPACE LIMITATIONS OR OTHER CONSIDERATIONS MAKE EXACT DIMENSION(S) CRITICAL.