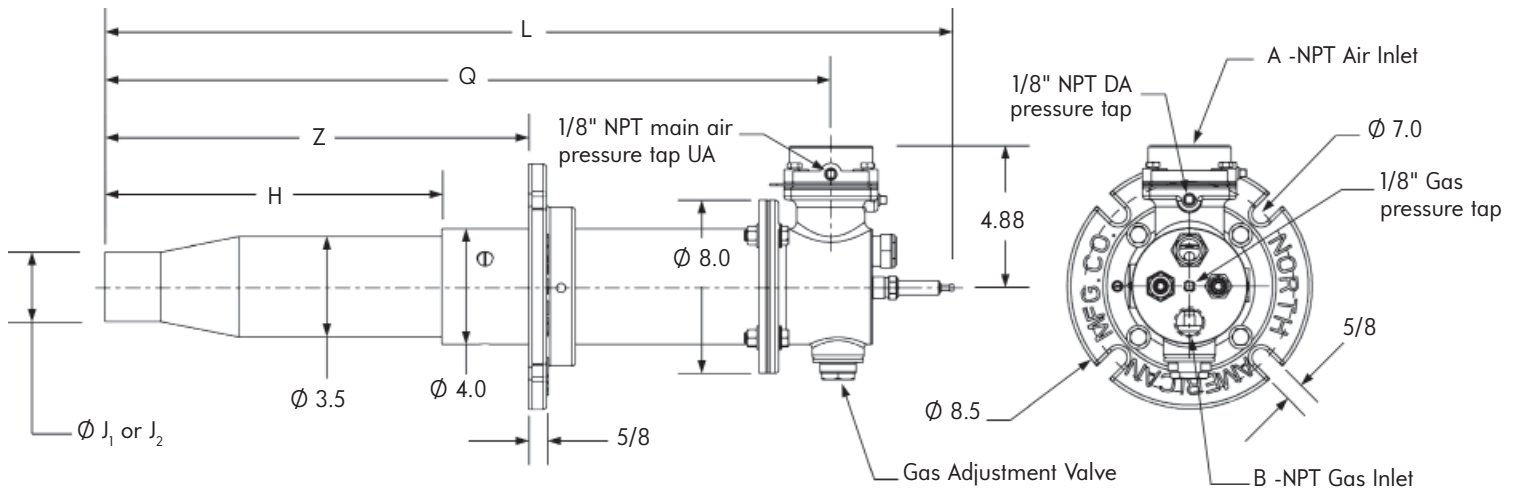
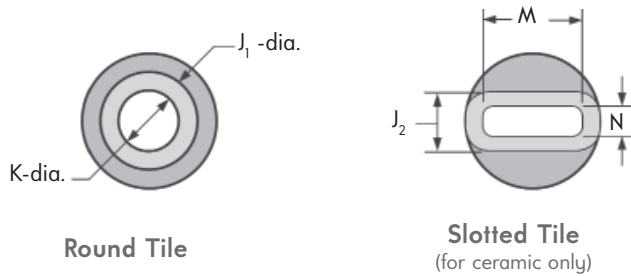


Dimensions | 4445N-2 through -4-B Tempest®



4445N-2 through -4-B



Burner designation	A	B	J_1	J_2	K	M	N	"L" dim. = overall length				
								-S	-M	-L	-E	-X
4445N-2	1¼	¾	2.1	Ⓚ	1.09	1.75	0.54	21	29.4	35.2	45.2	consult
4445N-3	1½	¾	2.1	Ⓚ	1.44	2.25	0.74	21	29.4	35.2	45.2	Fives
4445N-4-A	2	¾	2.4	Ⓚ	1.75	2.69	0.92	21	29.4	35.2	45.2	North
4445N-4-B	2	¾	Ⓚ	Ⓚ	1.94	2.69	1.13	21	29.4	35.2	45.2	American

Burner designation	"H" dim. = tile ext. length				"Q" dim. = tile to air flange					"Z" dim. = insertion depth				
	-S	-M	-L	-E	-S	-M	-L	-E	-X	-S	-M	-L	-E	-X
4445N-2	9			11.75	16.8	25.2	35.2	45.2	Ⓚ	9-12	12-20	12-30	12-40	consult
4445N-3	9			11.75	16.8	25.2	35.2	45.2	Ⓚ	9-12	12-20	12-30	12-40	Fives
4445N-4-A	9			11.75	16.8	25.2	35.2	45.2	Ⓚ	9-12	12-20	12-30	12-40	North
4445N-4-B	9			11.75	16.8	25.2	35.2	45.2	Ⓚ	9-12	12-20	12-30	12-40	American

Ⓚ These tiles are not contoured at the discharge end.

Ⓚ SPL = max. "Z" dimension required plus approximately 6" -- for estimating purposes only.

DIMENSIONS SHOWN ARE SUBJECT TO CHANGE. PLEASE OBTAIN CERTIFIED PRINTS FROM FIVES NORTH AMERICAN COMBUSTION, INC. IF SPACE LIMITATIONS OR OTHER CONSIDERATIONS MAKE EXACT DIMENSION(S) CRITICAL.