

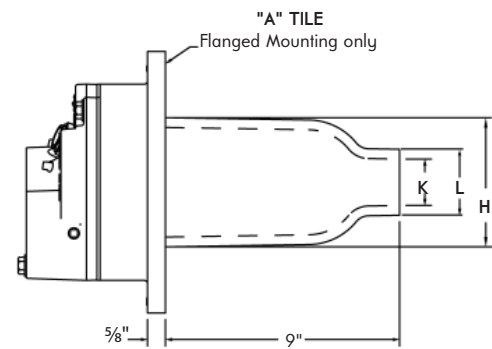
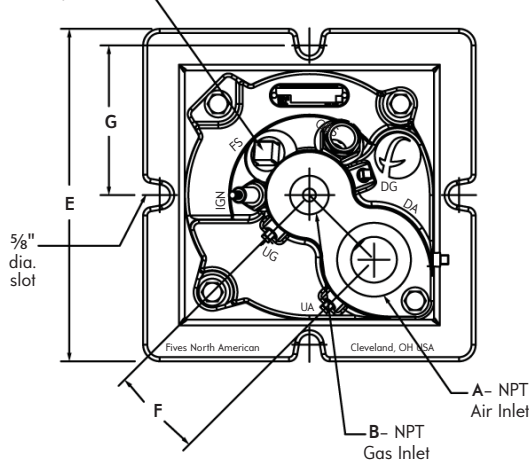
North American Tempest® 4441DMC Burner

DIMENSIONS inches

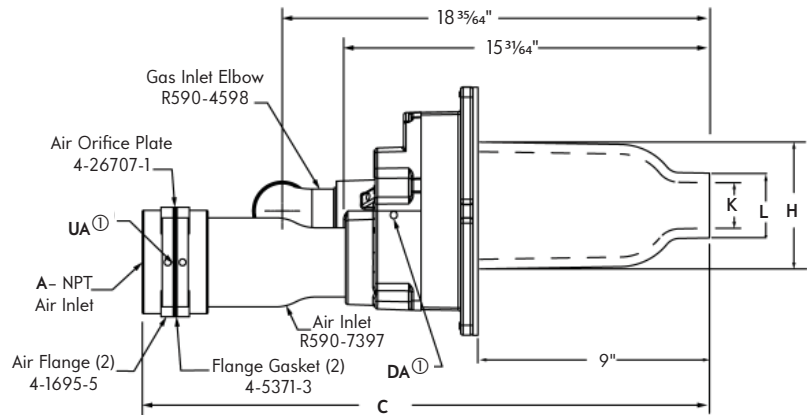
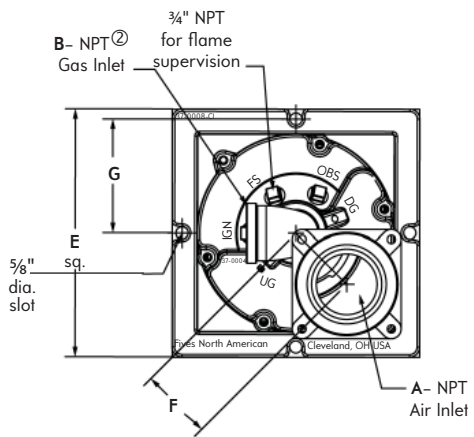
Dimensions & Parts List 4441DMC-1

4441DMC-3 through -6

3/4" NPT for flame supervision



4441DMC-7 (Parts for -7 only--other parts shown on page 2.)



Burner designation	dimensions in inches									"A" Tile (max. OD)	weight, lb 4441-'A'
	A	B ^②	C	E	F	G	K	L	H		
4441DMC-3	1 1/2	3/4	14 3/8	10	2 3/4	4 1/2	9/16	1 5/16	5	40	
4441DMC-4-A	2	1	14 3/8	10	2 3/4	4 1/2	2 3/32	1 2 3/32	5	40	
4441DMC-4-B	2	1	14 3/8	10	2 3/4	4 1/2	2 3/32	1 2 3/32	5	40	
4441DMC-5	2 1/2	1 1/4	16	12 1/2	3 5/8	5 3/4	7/8	2 1/4	7 1/2	75	
4441DMC-6	3	1 1/2	16	12 1/2	3 5/8	5 3/4	1	2 1/4	7 1/2	75	
4441DMC-7	4	2	25 5/8	12 1/2	3 5/8	5 3/4	1 1/2	2 1/4	7 1/2	95	

① Air orifice location for 4441DMC-7 only.

② For selection of auxiliary gas component sizes, see 4441DMC-3.