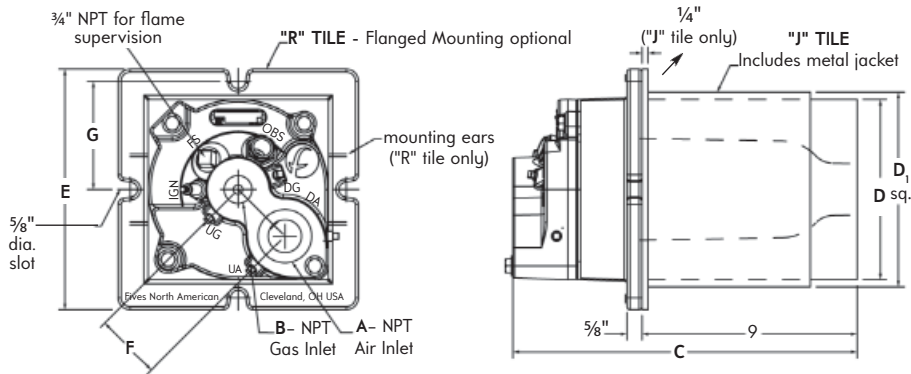


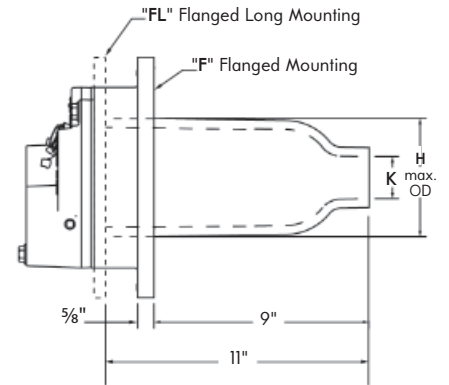
Dimensions | Tempest®

DIMENSIONS, inches

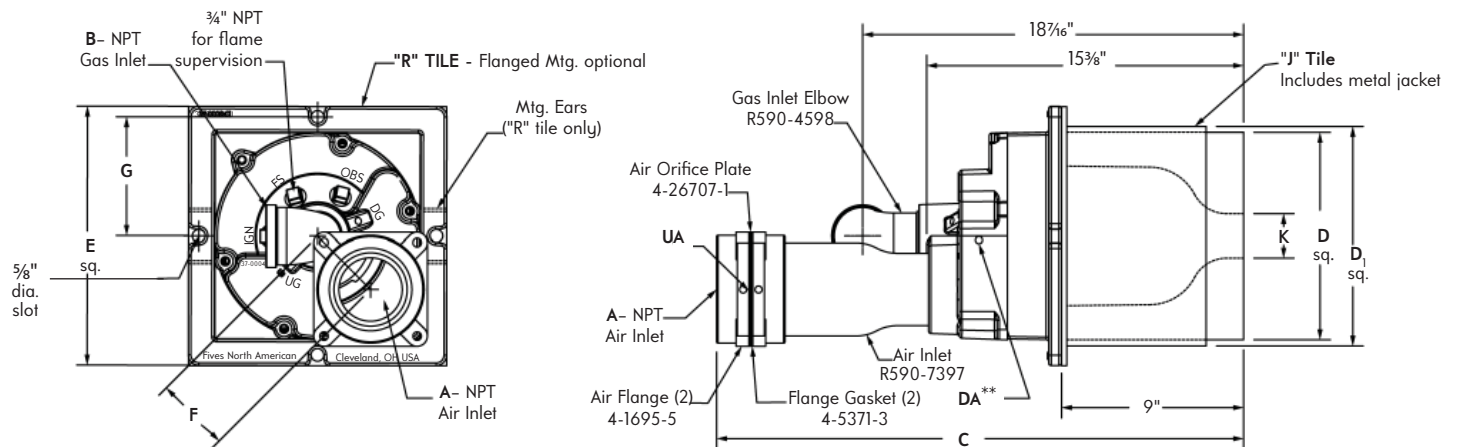
4441-1 through -6



4441-1 through -7 "A" tile dimensions (other 7 dimensions below)



4441-7 (Parts for -7 only)



Burner designation	Dimension in Inches									K		"A" Tile (max. OD) H	Weight, lb		
	A	B	C	D	D ₁	E	F	G	Round Tile Ø	Slotted Tile H X W	4441-'R'		4441-'J'	4441-'A'	
4441-1	1 1/4	3/4	14 3/8	7 1/2	8	10	2 3/4	4 1/2	0.81	0.31 X 1.71	5	60	85	40	
4441-2	1 1/4	3/4	14 3/8	7 1/2	8	10	2 3/4	4 1/2	1.13	0.50 X 2.10	5	60	85	40	
4441-3	1 1/2	3/4	14 3/8	7 1/2	8	10	2 3/4	4 1/2	1.38	0.56 X 2.75	5	60	85	40	
4441-4-A	2	1	14 3/8	7 1/2	8	10	2 3/4	4 1/2	1.75	0.72 X 3.50	5	60	85	40	
4441-4-B	2	1	14 3/8	7 1/2	8	10	2 3/4	4 1/2	2.13	0.94 X 3.94	5	60	85	40	
4441-5	2 1/2	1 1/4	16	10	10 1/2	12 1/2	3 5/8	5 3/4	2.13	0.88 X 4.25	7 1/2	125	150	75	
4441-6	3	1 1/2	16	10	10 1/2	12 1/2	3 5/8	5 3/4	2.44	1.00 X 4.85	7 1/2	125	150	75	
4441-7	4	2	25 5/8	10	10 1/2	12 1/2	3 5/8	5 3/4	3.19	1.50 X 5.63	7 1/2	145	170	95	