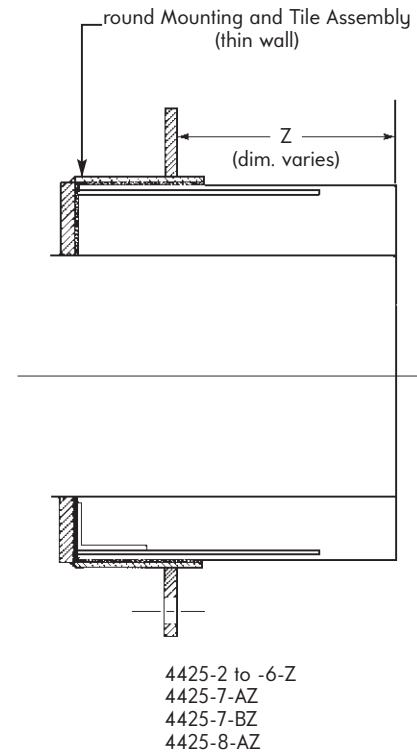
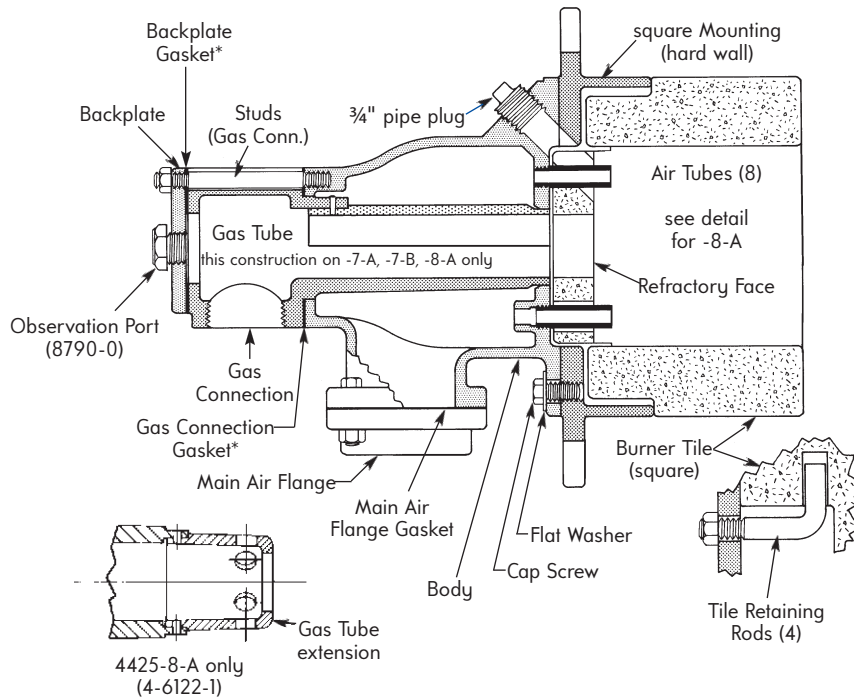


North American 4425 Gas Burners

Parts List & Instructions 4425



PARTS for 4425 Gas Burners

part name	4425-2	4425-3	4425-4	4425-5	4425-6	4425-7-A	4425-7-B	4425-8-A
Air Tubes (8 req'd), Inconel	3-3643-1†	3-3643-2†	3-3640-2	3-3639-2	3-3554-2	3-3273-3	3-3273-4	4-3684-2
Backplate	4-2459-2	4-2459-2	4-2459-2	4-2459-2	4-2459-2	3-3269-2	3-3269-2	3-3269-2
Backplate Gasket	3-2607-1	3-2607-1	3-2607-1	3-2607-1	3-2607-1	3-3272-1	3-3272-1	3-3272-1
Body	3-2466-9	3-2466-9	3-2466-9	3-2466-9	3-2466-10	3-3267-3	3-3267-3	3-3267-4
Burner Tile (9") [hard wall]	4-2121-2	4-2121-2	4-2121-2	4-2121-2	4-2121-2	4-2142-2	4-2142-2	4-2142-2
Cap Screw (8 req'd)	R066-2920-H	R-066-2920-H	R066-2920-H	R066-2920-H	R066-2920-H	R066-3420-H	R066-3420-H	R066-3420-H
Flat Washer (8 req'd)	R970-7300-C	R970-7300-C	R970-7300-C	R970-7300-C	R970-7300-C	R970-7370-C	R970-7370-C	R970-7370-C
Gas Connection	3-2465-4	3-2465-4	3-2465-5	3-2465-6	3-2465-6	3-3268-2‡	3-3268-2‡	4-6126-1‡
Gas Connection Gasket	3-2473-1	3-2473-1	3-2473-1	3-2473-1	3-2473-1	3-3272-1	3-3272-1	3-3272-1
Gas Tube	3-2468-2	3-2468-2	3-2468-2	3-2468-2	3-2468-2	—†	—†	—†
Gas Conn. Gasket	3-2473-1	3-2473-1	3-2473-1	3-2473-1	3-2473-1	3-2473-1	3-3272-1	3-3272-1
Main Air Flange	3-2544-2	3-2544-1	4-1695-2	4-1695-3	4-1695-9	4-1695-5	4-1695-5	8765-8 x 7-D
Main Air Flange Gasket	4-5371-2	4-5371-2	4-5371-2	4-5371-2	4-5371-2	4-5371-3	4-5371-3	4-5371-3
Mounting (hard wall)	3-3257-1	3-3257-1	3-3257-1	3-3257-1	3-3257-1	3-3270-1	3-3270-1	3-3270-1
Mounting & Tile Assembly (thin wall)*	3-6322-1/X.X	3-6322-1/X.X	3-6322-1/X.X	3-6322-1/X.X	3-6322-1/X.X	3-6322-2/X.X	3-6322-2/X.X	3-6322-2/X.X
Refractory Face	4-4038-3	4-4038-3	4-4038-3	4-4038-3	4-4038-4	4-4039-2	4-4039-2	4-6127-1
Studs, Gas Conn. (4 req'd)	3-2584-1	3-2584-1	3-2584-1	3-2584-1	3-2584-1	3-3325-1	3-3325-1	3-3325-1
Tile Retaining Rods (4 req'd)	3-1115-2	3-1115-2	3-1115-2	3-1115-2	3-1115-2	3-1115-2	3-1115-2	3-1115-2

* Backplate and Gas Connection Gaskets are identical pieces for -7 and -8 sizes.

† Includes 3-3638-1 adapter.

‡ Gas tube is cast with Gas Connection for -7-A, -7-B, and -8-A sizes.

• Mounting and tile assembly part numbers have been revised to include the required "Z" dimension. When ordering tile and mounting assembly separately, include the "X.X" suffix to represent "Z" dimension in .5" increments, 2" min. to 9" max.

For example: 3-6322-1/5.5 represents tile and mounting assembly for 4425-2-Z through 4425-6-Z burners with "Z" dimension of 5.5".