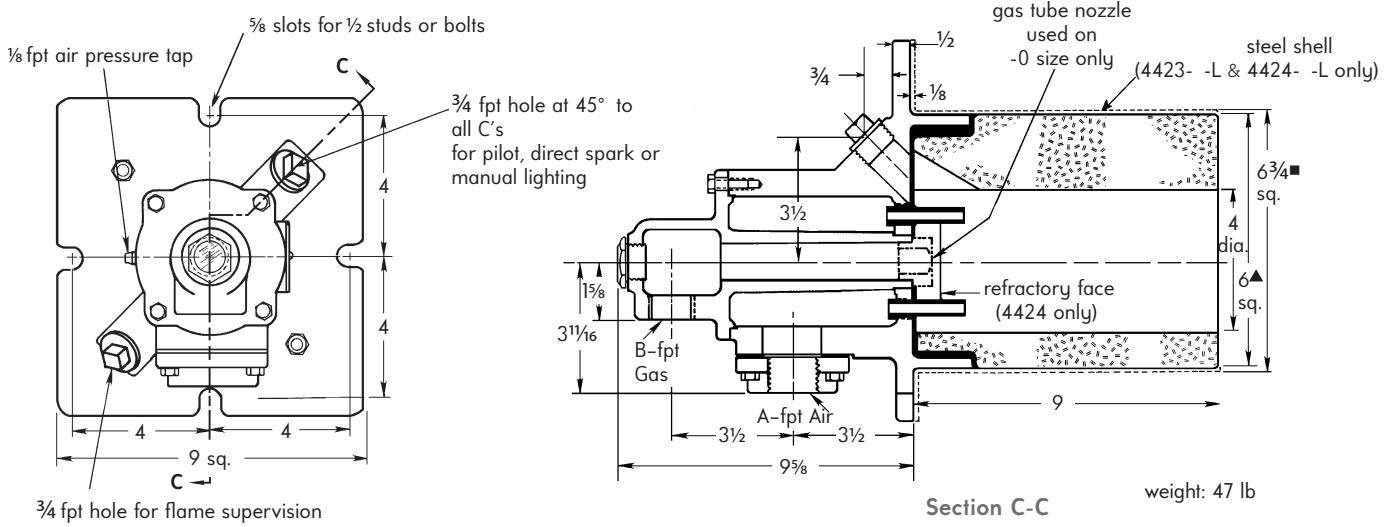


Dimensions | Small Fire•All™ Gas Burners

DIMENSIONS in inches

Bulletin 4423/4424
Page 3

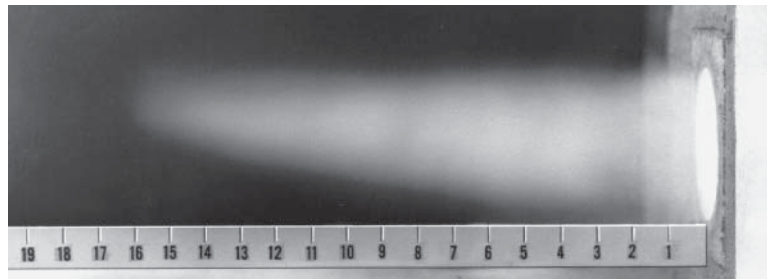


For most reliable ignition and flame signals, operate pilot at no less than 4" w.c. mixture pressure.

- ▲ Opening in furnace shell or outer wall must be 1/2" larger than dimension shown to allow for mounting plate fillet and draft.
- Opening in furnace shell or outer wall must be 1/4" larger than dimension shown.

DIMENSIONS SHOWN ARE SUBJECT TO CHANGE. PLEASE OBTAIN CERTIFIED PRINTS FROM FIVES NORTH AMERICAN COMBUSITON, INC. IF SPACE LIMITATIONS OR OTHER CONSIDERATIONS MAKE EXACT DIMENSION(S) CRITICAL.

Burner designation	dimensions in inches	
	A	B
4423 or 4424-0	3/4	1/2
4423 or 4424-1	1	3/4
4423 or 4424-2	1 1/4	1
4423 or 4424-3-A	1 1/2	1
4423 or 4424-3-B	1 1/2	1



4423-3-A flame with 8 osi air, correct air/gas ratio (the eye would see a somewhat longer flame).

WARNING: Situations dangerous to personnel and property may exist with the operation and maintenance of any combustion equipment. The presence of fuels, oxidants, hot and cold combustion products, hot surfaces, electrical power in control and ignition circuits, etc., are inherent with any combustion application. Components in combustion systems may exceed 160°F (71°C) surface temperatures and present hot surface contact hazard. Fives North American Combustion, Inc. suggests the use of combustion systems that are in compliance with all Safety Codes, Standards, Regulations and Directives; and care in operation.

CONTACT

fna.sales@fivesgroup.com
T +1 800 626 3477 - F +1 216 373 4237

Fives North American Combustion, Inc.
4455 East 71st Street - Cleveland, OH 44105 - USA
www.fivesgroup.com


fives
Industry can do it