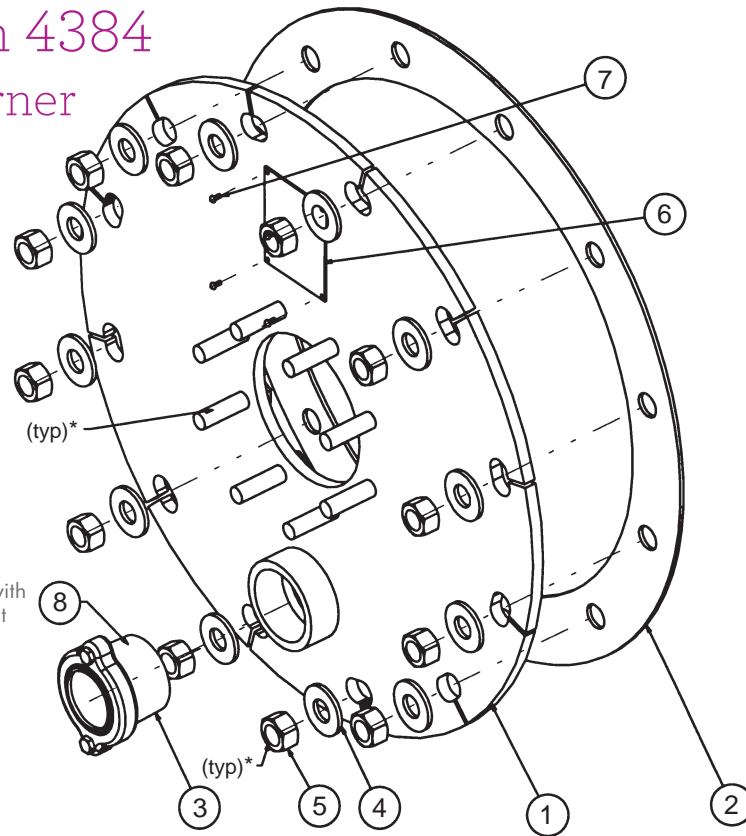


North American 4384 Fuel Directed® Burner

Parts List 4384-1

BACKPLATE

Apply pipe sealant with Teflon (R790-1062) at final assembly



Part Name	4384-8	4384-9	4384-10-A	4384-10-B	4384-12	4384-14
(1) Backplate	4-47711-1	4-47445-1	4-47718-1	4-47718-1	4-47731-1	4-47746-1
(2) Backplate Gasket	4-14544-8	4-14544-9	4-14544-10	4-14544-10	4-14544-12	4-14544-14
(3) Observation Port	8790-0	8790-0	8790-4-A	8790-4-A	8790-4-A	8790-4-A
(4) 5/8" Flat Washer	R970-7420	R970-7420	R970-7420	R970-7420	R970-7420	R970-7420
(5) 5/8"-11 Hex Nut	R510-2399	R510-2399	R510-2399	R510-2399	R510-2399	R510-2399
(6) Nameplate	OA15-0027-1	OA15-0027-1	4-15407-1	4-15407-1	4-15407-1	4-15407-2
(7) #4 x 1/4" Drive Pin	R570-1360	R570-1360	R570-1360	R570-1360	R570-1360	R570-1360
(8) Pipe Sealant w/Teflon	R790-1062	R790-1062	R790-1062	R790-1062	R790-1062	R790-1062

Part Name	4384-16	4384-18	4384-20	4384-22	4384-24	4384-26
(1) Backplate	4-47752-1	4-47758-1	4-47831-1	4-47845-1	4-47861-1	4-47928-1
(2) Backplate Gasket	B4-14544-16	4-14544-18	4-14544-20	4-14544-22	4-14544-24	4-14544-26
(3) Observation Port	8790-4-A	8790-4-A	8790-4-A	8790-4-A	8790-4-A	8790-4-A
(4) 5/8" Flat Washer	R970-7420	R970-7420	R970-7420	R970-7420	R970-7420	R970-7420
(5) 5/8"-11 Hex Nut	R510-2399	R510-2399	R510-2399	R510-2399	R510-2399	R510-2399
(6) Nameplate	4-15407-2	4-15407-2	4-15407-2	4-15407-2	4-15407-2	4-15407-2
(7) #4 x 1/4" Drive Pin	R570-1360	R570-1360	R570-1360	R570-1360	R570-1360	R570-1360
(8) Pipe Sealant w/Teflon	R790-1062	R790-1062	R790-1062	R790-1062	R790-1062	R790-1062

*Apply "Anti Seize Lubricant" (R790-1007) compound to these threads at final assembly.