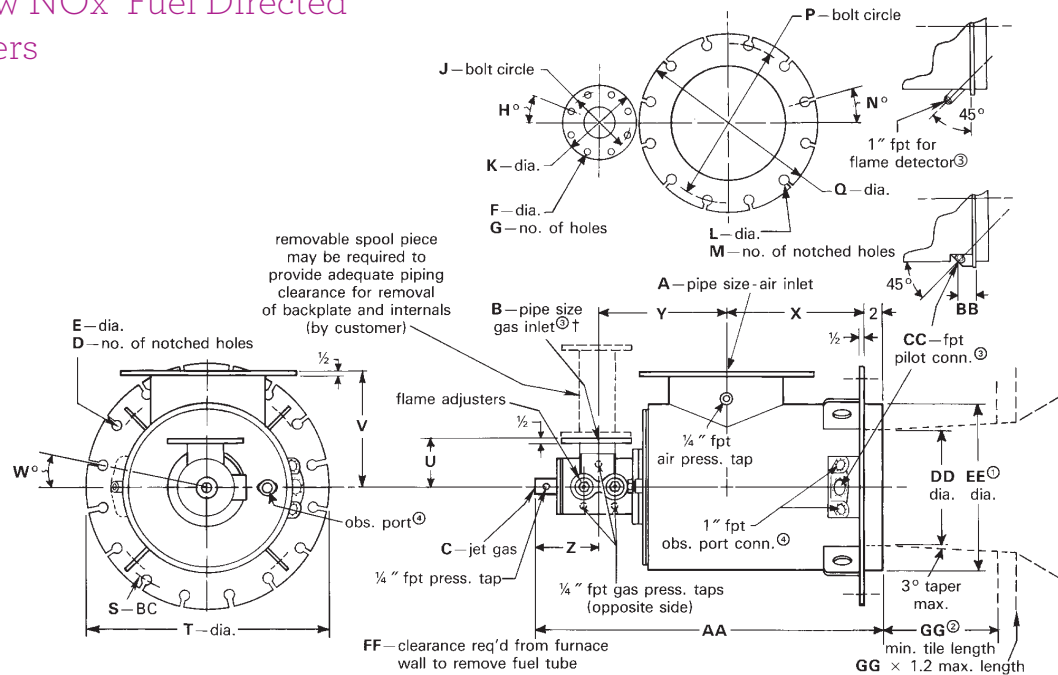


North American Low NO_x Fuel Directed[®] Magna-Flame Burners

Dimensions & Installation 4384

DIMENSIONS inches



Burner designation	A ^③	B ^{③†}	C	D	E	F	G	H [°]	J	K	L	M	N [°]	P	Q	S	T	U
4384-8	6	2½	¾	16	¾	—	—	—	—	—	7/8	8	22½	9½	11	18½	20¼	5½
4384-9	8	2½	¾	16	¾	—	—	—	—	—	7/8	8	22½	11¾	13½	20½	22¼	5½
4384-10-A	10	2½	¾	16	¾	—	—	—	—	—	1	12	15	14¼	16	22½	24¼	5½
4384-10-B	10	2½	¾	16	¾	—	—	—	—	—	1	12	15	14¼	16	22½	24¼	5½
4384-12	12	2½	¾	16	¾	—	—	—	—	—	1	12	15	17	19	24½	26¼	5½
4384-14	14	2½	¾	20	¾	—	—	—	—	—	1½	12	15	18¾	21	26½	28¼	5½
4384-16	16	2½	¾	20	¾	—	—	—	—	—	1½	16	11¼	21¼	23½	28½	30¼	5½
4384-18	18	4	1	20	7/8	¾	8	22½	7½	9	1¼	16	11¼	22¾	25	30½	32¼	7½
4384-20	20	4	1	24	7/8	¾	8	22½	7½	9	1¼	20	9	25	27½	32½	34¼	7½
4384-22	22	4	1	24	7/8	¾	8	22½	7½	9	1¼	20	9	26	29½	34½	36¼	7½
4384-24	24	4	1	24	7/8	¾	8	22½	7½	9	1¾	20	9	29½	32	36½	38¼	7½
4384-26	26	4	1	24	7/8	¾	8	22½	7½	9	1¾	24	7½	32	34	38½	40½	7½

†-8 thru -16, 2½" threaded; -18 thru -26, 4" ANSI flange

Burner designation	V	W [°]	X	Y	Z	AA	BB	CC ^③	DD	EE ^①	FF	GG ^②	Pilot assembly designation	Wt. lbs.
4384-8	9½	11¼	10	11¾	7¾	31¼	2¾	1¼	8½	14	57¾	5	4014-1-T	240
4384-9	11	11¼	13	12¾	7¾	35½	2¾	1¼	10¼	16	57¾	6	4014-1-T	290
4384-10-A	12½	11¼	15	14¾	7¾	38¾	2¾	1½	11¼	18	64¾	7	4014-2-T	365
4384-10-B	12½	11¼	15	14¾	7¾	38¾	2¾	1½	12¼	18	64¾	8	4014-2-T	355
4384-12	13½	11¼	17½	15¾	7¾	42¾	2¾	2	14¼	20	73¾	9	4014-3-AT	410
4384-14	14½	9	18½	16¾	7¾	44¾	2¾	2	16¼	22	76¾	10	4014-3-AT	465
4384-16	15½	9	19	17¾	7¾	45¾	2¾	2	18¼	24	78¾	11	4014-3-AT	515
4384-18	16½	9	19½	19¾	8¼	49¼	2¾	2	20¼	26	86¾	12	4014-3-BT	635
4384-20	17½	7½	20½	20½	8¼	51¾	2¾	2	22¼	28	87½	13	4014-3-BT	685
4384-22	18½	7½	21½	22¾	8¼	54	2¾	2	24¼	30	93¼	14	4014-3-BT	760
4384-24	19½	7½	22½	23½	8¼	56¾	2¾	2	26¼	32	97½	15	4014-3-BT	820
4384-26	20½	7½	23½	24½	8¼	58¼	2¾	2	28¼	34	103	16	4014-3-BT	940

① Furnace opening should be ½" larger than dimension EE for -8 thru -14; ¾" larger than dimension EE for -16 thru -26.

② Any tile length greater than GG × 1.2 should have a 30° angled flare from the standard tile extension.

③ Burner must be ordered with locations designated. See reverse side.

④ Backplate and pilot observation ports included with burner.

DIMENSIONS SHOWN ARE SUBJECT TO CHANGE. PLEASE OBTAIN CERTIFIED PRINTS FROM FIVES NORTH AMERICAN COMBUSTION, INC.
IF SPACE LIMITATIONS OR OTHER CONSIDERATIONS MAKE EXACT DIMENSION(S) CRITICAL.