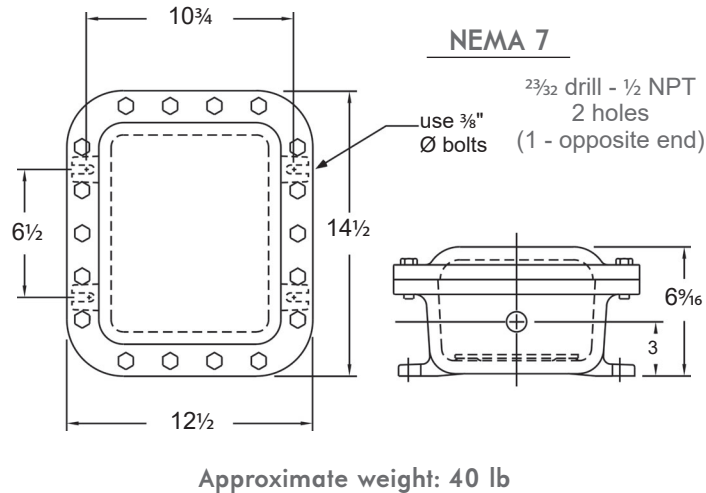
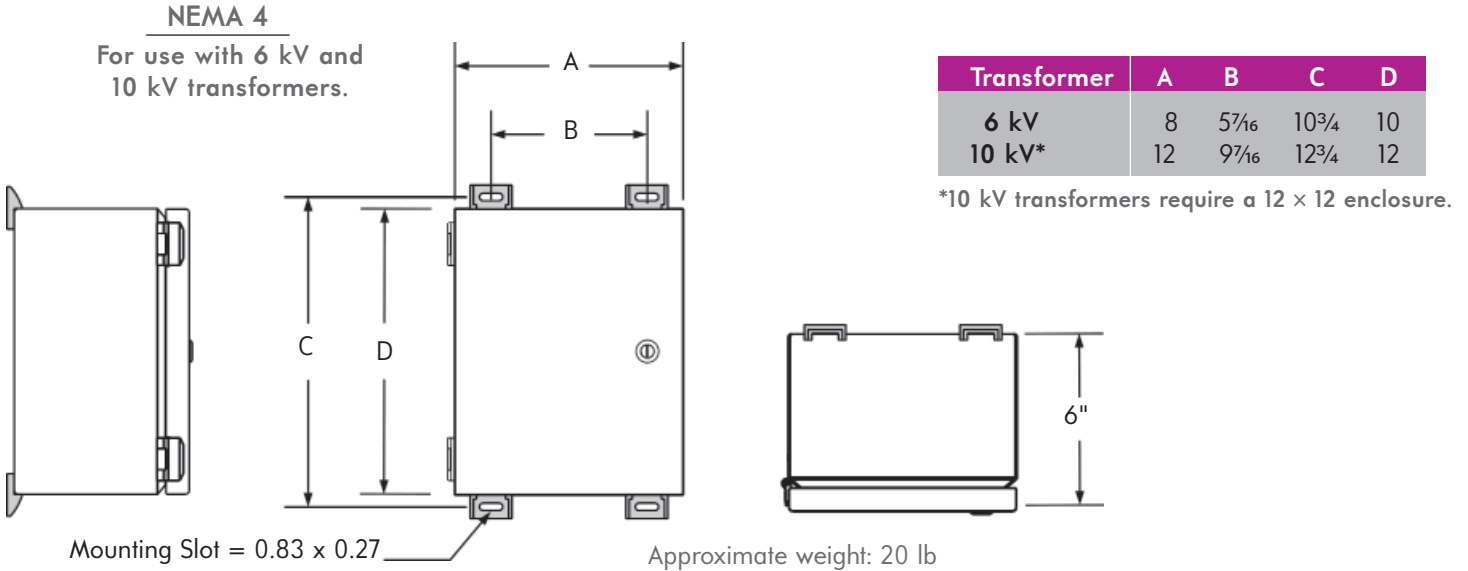


Enclosure Dimensions | Ignition Transformers

Some 4065 and 4066 Ignition Transformers are available with NEMA 4 weatherproof and NEMA 7 explosion proof enclosures. A standard 6 kV transformer is bolted to the bottom of an 8 × 10 × 6 enclosure appropriate for the rating, and a 10 kV transformer is bolted to the bottom of a 12 × 12 enclosure appropriate for the rating. A gasketed strain relief connector in one end of the enclosure permits running a standard 4085 Ignition Cable in to the transformer. See Bulletin 4085 for complete listing of available options.

DIMENSIONS inches



WARNING: Situations dangerous to personnel and property may exist with the operation and maintenance of any combustion equipment. The presence of fuels, oxidants, hot and cold combustion products, hot surfaces, electrical power in control and ignition circuits, etc., are inherent with any combustion application. Components in combustion systems may exceed 160°F (71°C) surface temperatures and present hot surface contact hazard. Fives North American Combustion, Inc. suggests the use of combustion systems that are in compliance with all Safety Codes, Standards, Regulations and Directives; and care in operation.

CONTACT

fna.sales@fivesgroup.com
T +1 800 626 3477 - F +1 216 373 4237

Fives North American Combustion, Inc.
4455 East 71st Street - Cleveland, OH 44105 - USA
www.fivesgroup.com



fives
Industry can do it