

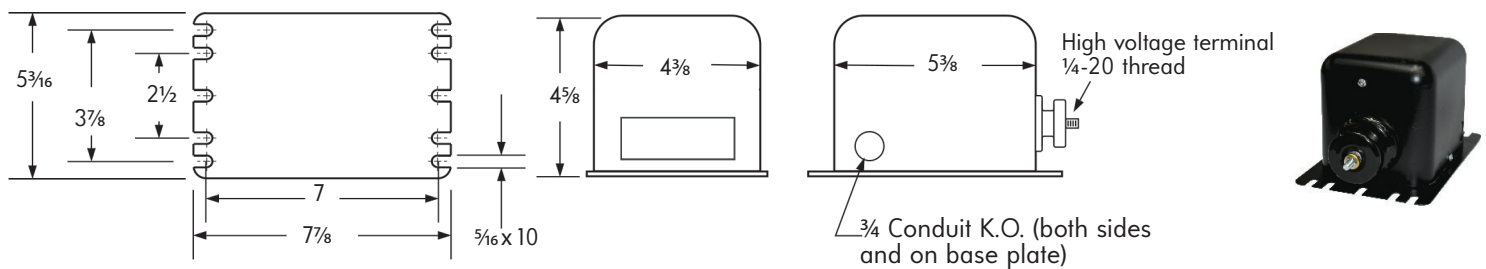
Specifications | Ignition Transformers

4065-6N1-10A Family

Approvals: UL, CSA

Transformer Designation	PRIMARY			SECONDARY		No. of secondary terminals	Weight, lb	4085 Igniton cable req'd. (style)	Enclosure
	volts	hertz	VA	volts	mA				
4065-6N1-10A	120	60	250	10 000	22	1	10	-B (¼ ring tongue)	None
4065-6N4-10A	120	60	250	10 000	22	1	25	-B (¼ ring tongue)	12 x 12 NEMA 4

Dimensions inches



Use 1/4" ring tongue connector for 4085 connector (type "B")



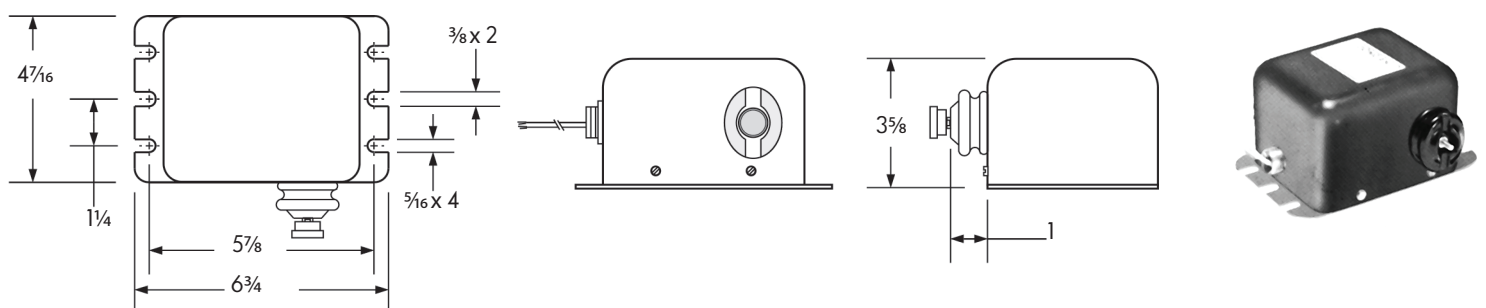
4065HT-6N1-6A Family

Approvals: UL

Transformer Designation	PRIMARY			SECONDARY		No. of secondary terminals	Weight, lb	4085 Igniton cable req'd. (style)	Enclosure
	volts	hertz	VA	volts	mA				
4065HT-6N1-6A	120	60	175	6000	20	1	10	-A (#10 ring tongue)	None
4065HT-6N4-6A	120	60	175	6000	20	1	10	-A (#10 ring tongue)	NEMA 4

Note: The 4065HT-6N1-6A has a higher temperature rating than the standard 4065/4066 transformers, with a maximum temperature of 170 °F. Also the primary wire connection has an 1/2" threaded conduit connection, instead of a junction compartment for the primary splice. The primary lead wires on this transformer are 18" long.

Dimensions inches



Use #10 ring tongue connector for 4085 connector (type "A")

