

4058 Installation and operation (electrical)

Wiring for general purpose end switch

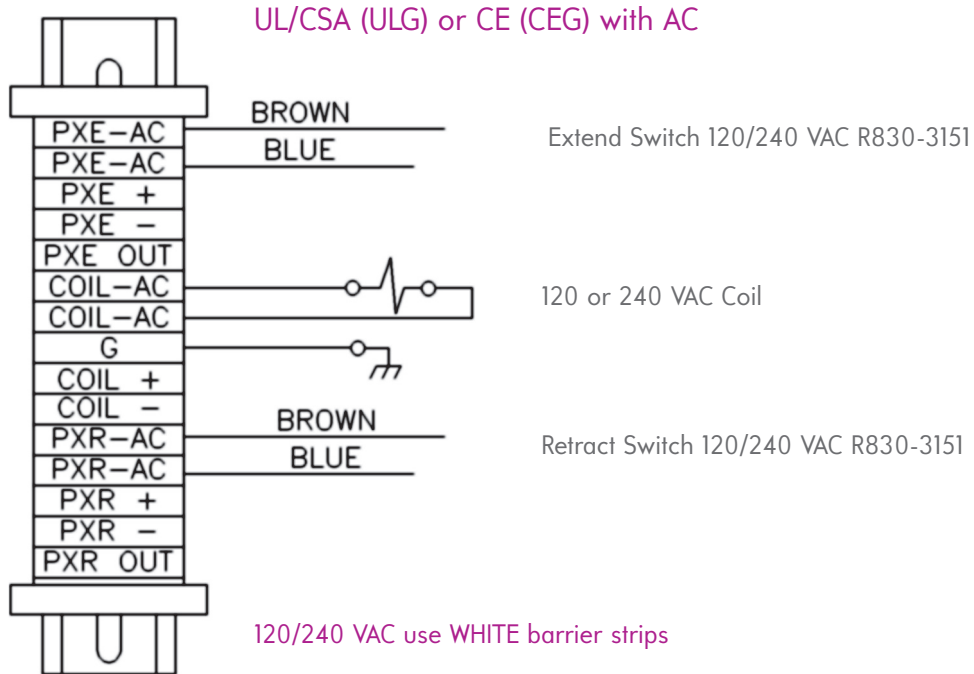


Figure 7a: UL/CSA (ULG) or CE (CEG) with AC

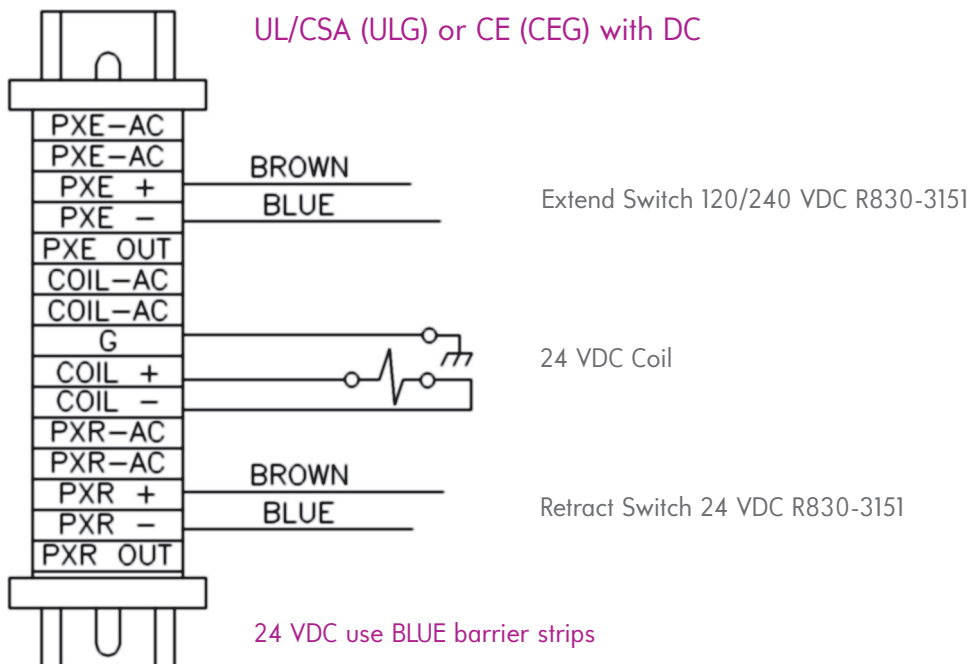


Figure 7b: UL/CSA (ULG) or CE (CEG) with DC