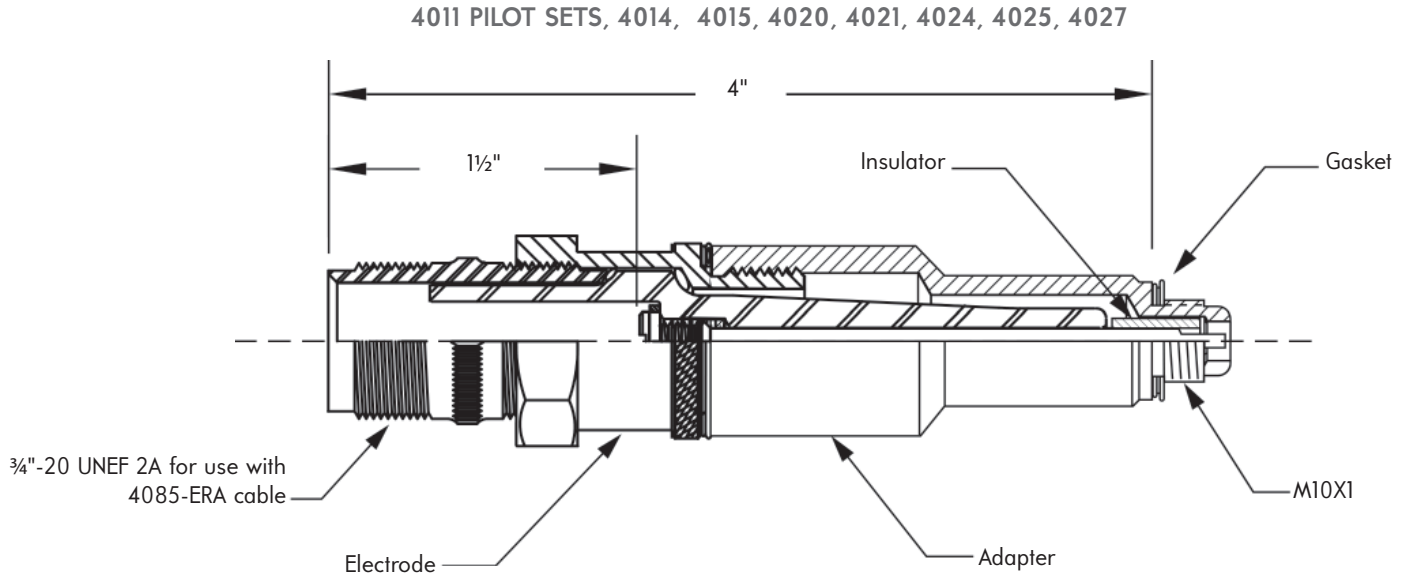


# Explosion Resistant Assembly | 4055 Igniters

## 10 MM ERA IGNITERS for PILOT TIPS

The 4055-X-ERA 10mm igniter is intended for use in pilot systems that require sealed ignition wiring that normally accept the R240-2465 10mm spark plug. The 4055-X-ERA is supplied with one (1) **R290-3100**: 10mm spark plug gasket. The ground rod/adaptor is made from a high Nickel alloy. The North American gas pilot tips listed below can be lit directly with 4055-X-ERA Igniters.



### SPARE PARTS

Designation	Electrode	Adapter	Insulator	Gasket
<b>4055-X-ERA</b>	4-55225-1	4-54884-1	4-54883-1	R290-3100

\* All 4-55225-1 electrodes are built with a specially modified version of igniters labeled as "Auburn SI-322". Do not replace the electrode in a 4055-X-ERA with an unmodified "Auburn SI-322" electrode. It will not function like the original 4055-X-ERA.