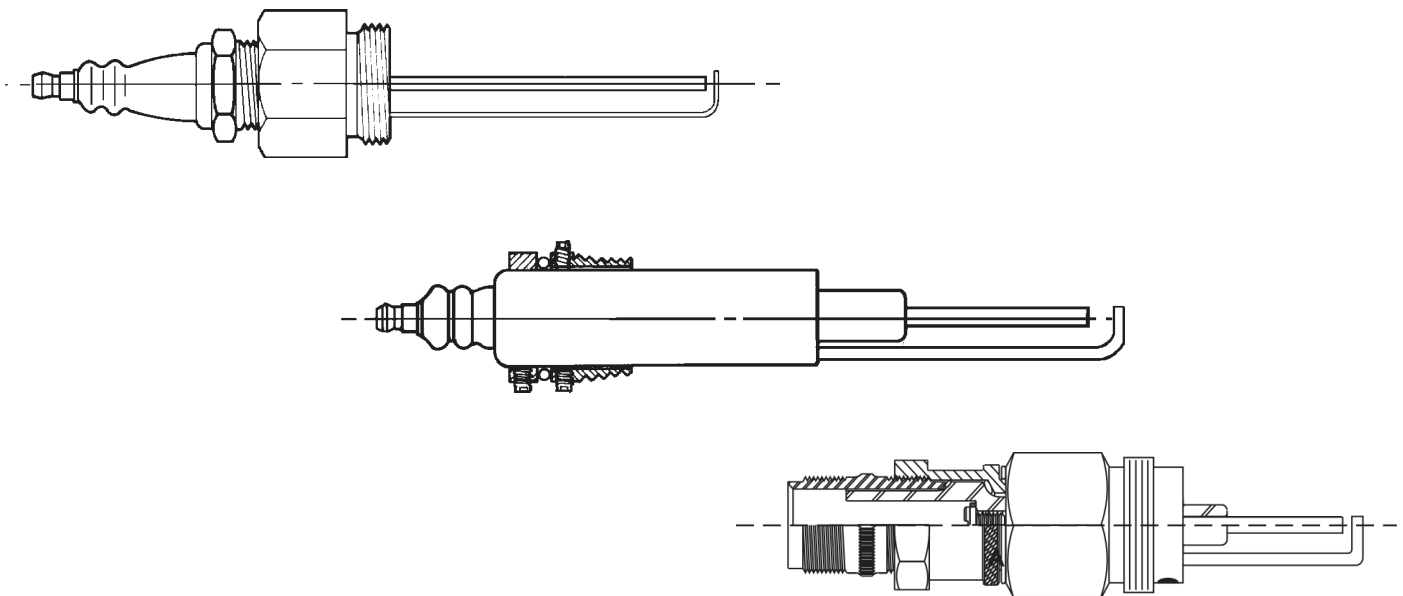


North American Igniters For Industrial Gas Burners



4055 Direct Spark Igniters

An alternate to gas pilot or manual torch lighting

- Eliminate gas pilot components and pilot maintenance
- Fixed length and variable length models, with conventional or sealed aircraft style connection
- Works with North American 4085 ignition cables and 4065/4066 ignition transformers